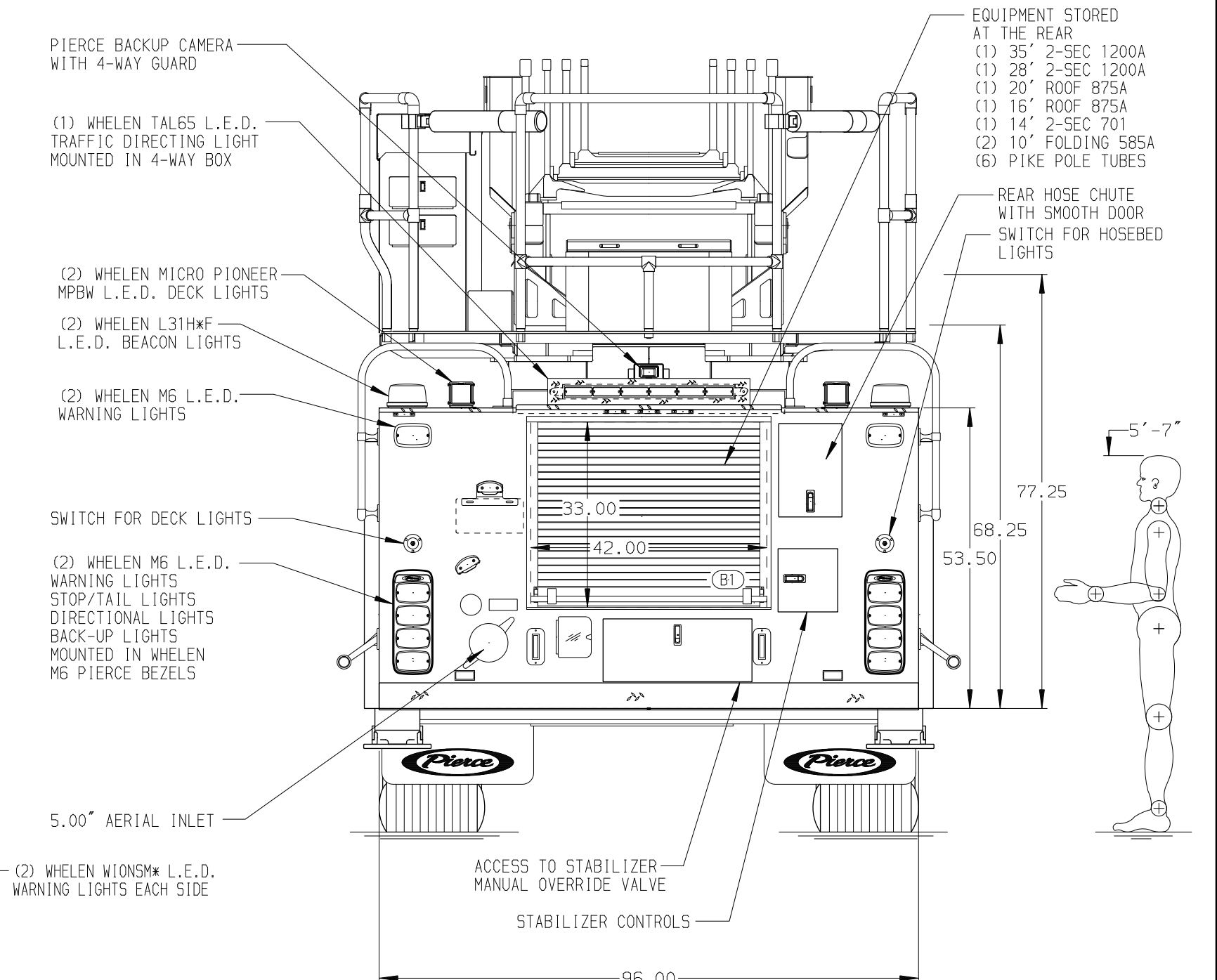
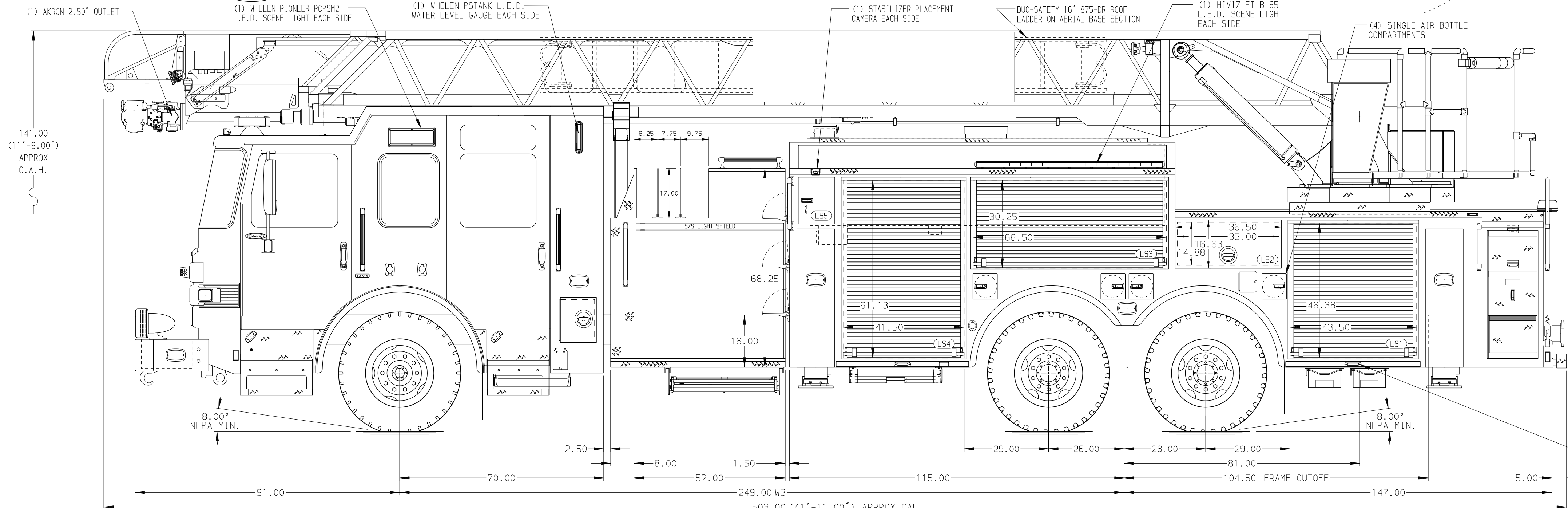


BODY	WATER TANK
107' Tandem Axle Platform Aluminum Body	500 Gallon Notched Poly Water Tank
COMPT, DRIVER SIDE FRONT	Foam System
FH/FD RollUp w/o Chute	Plumbing for Future Foam System
COMPT, DRIVER SIDE REAR	Foam Cell
FH/FD RollUp and Lift-up rearward	20 Gallon Foam Cell, Non-Reduced Water
COMPT, PASSENGER SIDE FRONT	
Full Height RollUp Forward	
COMPT, PASSENGER SIDE REAR	
Full Height RollUp and Liftup Rearward	



CHASSIS	CAB	AXLE, FRONT, CUSTOM	TRANSMISSION	PUMPHOUSE	CROSSLAYS, 1.50"	SPEEDLAYS	SAFETY
Enforcer Chassis	7010 Enforcer Cab	22,800 Lb TAK-4 Axle	Allison 6th Gen, 4500 EV5 P	52" Control Zone Side Mount	(2) 1.75" Standard Capacity	Speedlays Not Required	Side Roll and
<b>ENGINE</b>	<b>BUMPER</b>	<b>AXLE, REAR</b>		<b>PUMP</b>	<b>CROSSLAYS, 2.50"</b>	<b>GENERATOR</b>	Frontal Impact Protection
510 HP Paccor MX13 Engine	22" Extended Pointed Steel	44,000 Lb TAK-4 T3 Axle		2000 GPM Waterous CSU	(1) 2.50" Standard Capacity	Generator Not Required	

**NOTE**  
DIMENSIONS SHOWN ARE APPROXIMATE AND ARE SUBJECT TO MINOR DEVIATIONS AS MAY OCCUR OR BE NECESSARY IN CONSTRUCTION. MINOR DETAILS NOT SHOWN.

- 21.00" LIMITED RETRACTION REQUIRED
- ONE 1.50" OUTLET WITH 2.00" PIPING AND SWIVEL LOCATED IN CENTER BUMPER TRAY
- (2) SHORELINE RECEPTACLES WITH KUSSELM SUPER AUTO-EJECT LOCATED ON DRIVER SIDE OF CAB
- AIR INLET WITH DISCONNECT COUPLING LOCATED IN DRIVER SIDE STEP WELL
- BATTERY CHARGER LOCATED PER ORDER
- BATTERY CHARGER INDICATOR LOCATED PER ORDER
- FIVE ADJUSTABLE SHELVES LOCATED IN COMPARTMENTS PER ORDER
- THREE FLOOR MOUNTED SLIDE-OUT TRAYS LOCATED IN COMPARTMENTS PER ORDER
- ONE SWING-OUT TOOLBOARD LOCATED IN COMPARTMENT PER ORDER
- ONE PEGBOARD MOUNTED ON COMPARTMENT BACK WALL LOCATED PER ORDER
- TECNIO 4-SECTION RUNG LIGHTING AT AERIAL DEVICE
- TWO RECEPTACLES LOCATED PER ORDER
- 1500 GPM HIGH FLOW WATERWAY
- 3.00" RAISED AERIAL PEDESTAL
- ONE CTECH (3) DRAWER ASSEMBLY PER ORDER

Pierce MANUFACTURING INC.		JOB NO.	43981
		SCALE	1:24
		DATE	18APR25
TITLE	107' ASCENDANT AERIAL LADDER AND BODY ASSEMBLY	DRAWN BY	LWE
FOR	SUGAR LAND FIRE DEPARTMENT SUGAR LAND, TX	CHECKED BY	JLO
DWG NO.	43981AD	SHEET SIZE	D
		SHEET NO.	1 OF 1

REV	DATE	BY	CH	ENFORCER
08SEP125	LWE	AST		PIERCE
08JULY25	LWE	AST		PIERCE