

**PUMPER BODY**

Long Aluminum 2nd Gen Pumper

**CHASSIS**

Enforcer Chassis

**CHASSIS AXLE, FRONT, CUSTOM**

19,500 Lb TAK-4 Axle

**AXLE, REAR**

27,000 Lb Meritor Axle

**ENGINE**

510 HP Paccar MX13 Engine

**TRANSMISSION**

Allison 6th Gen, 4000 EVS P

**BUMPER**

19" Extended Painted Steel

**CAB**

7010 Enforcer Cab

**BODY WATER TANK**

1000 Gallon Poly Water Tank

**COMPT, PUMPER, REAR**

30.75" FF RollUp Rear Compt

**COMPT, PUMPER, LEFT SIDE**

161" RollUp Full Height Front & Rear FDLR

**COMPT, PUMPER, RIGHT SIDE**

161" RollUp Full Height Front & Rear FDLR

**FIRE SUPPRESSION PUMPHOUSE**

52" Control Zone Side Mount

**PUMP**

1500 GPM Waterous CSU

**CROSSLAYS, 1.50"**

(2) 1.50" Standard Capacity

**CROSSLAYS, 2.50"**

(1) 2.50" Standard Capacity

**SPEEDLAYS**

SpeedLays Not Required

**GENERATOR**

Generator Not Required

**Foam System**

FOAM SYS, HUSKY 3, SINGLE AGENT, MULTI SELECT FEATURE

**Foam Cell**

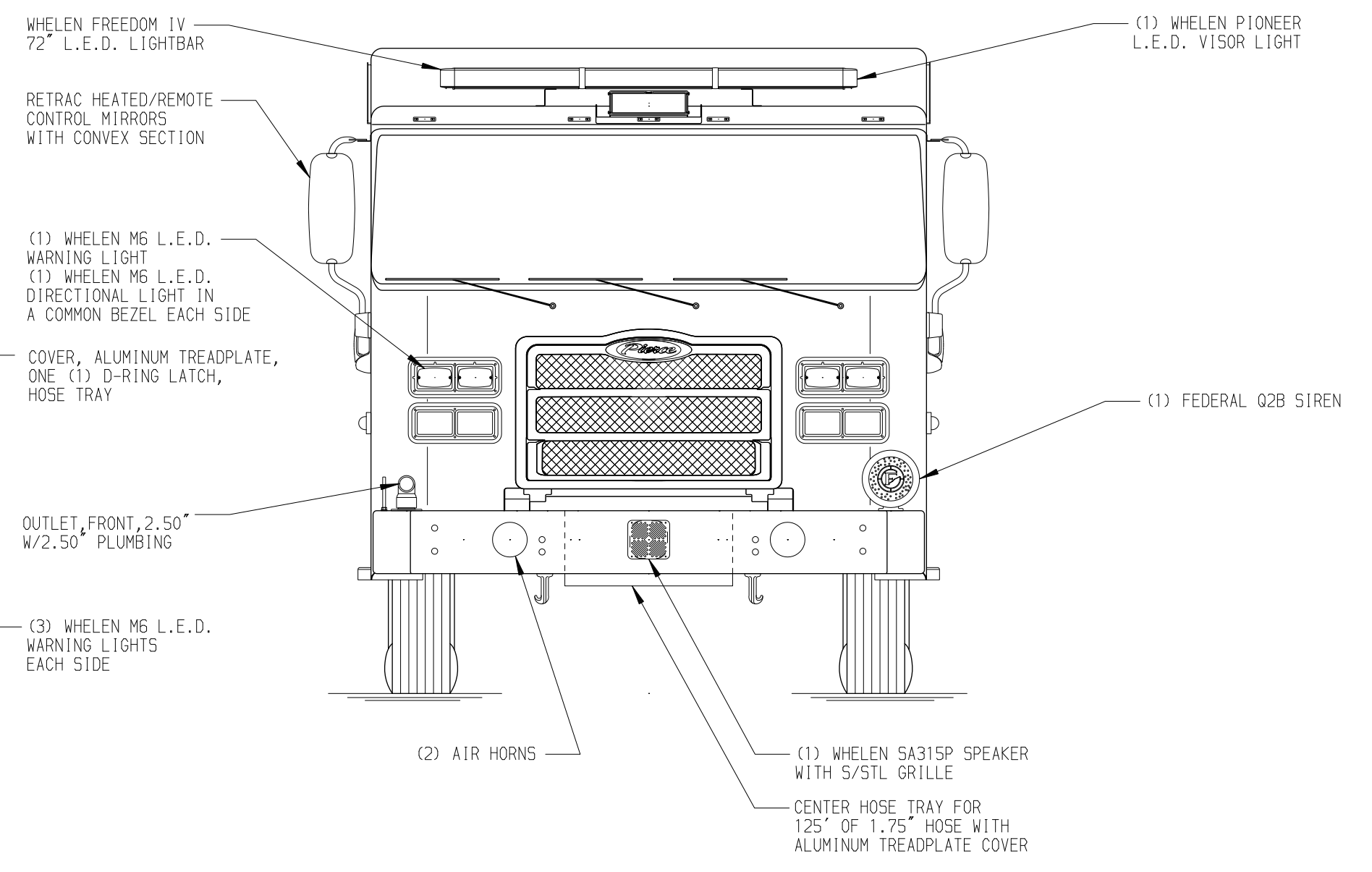
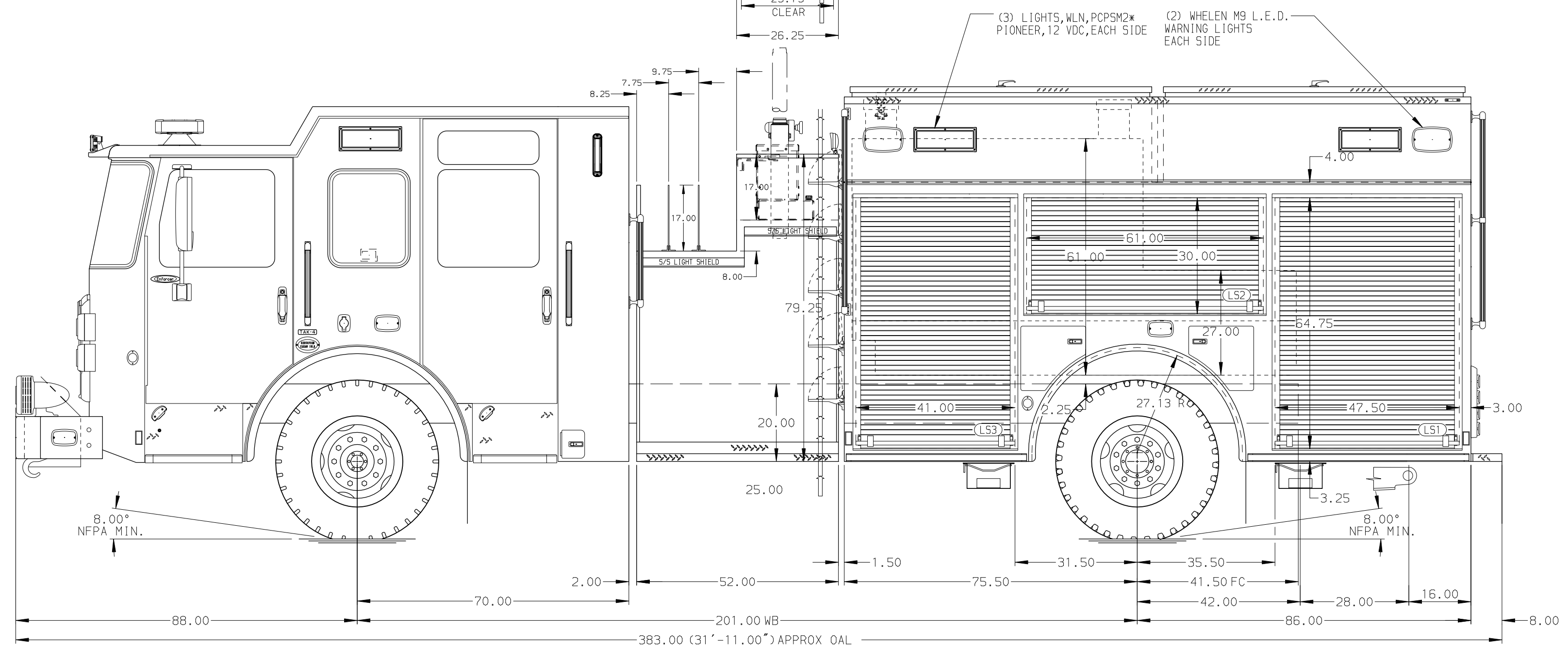
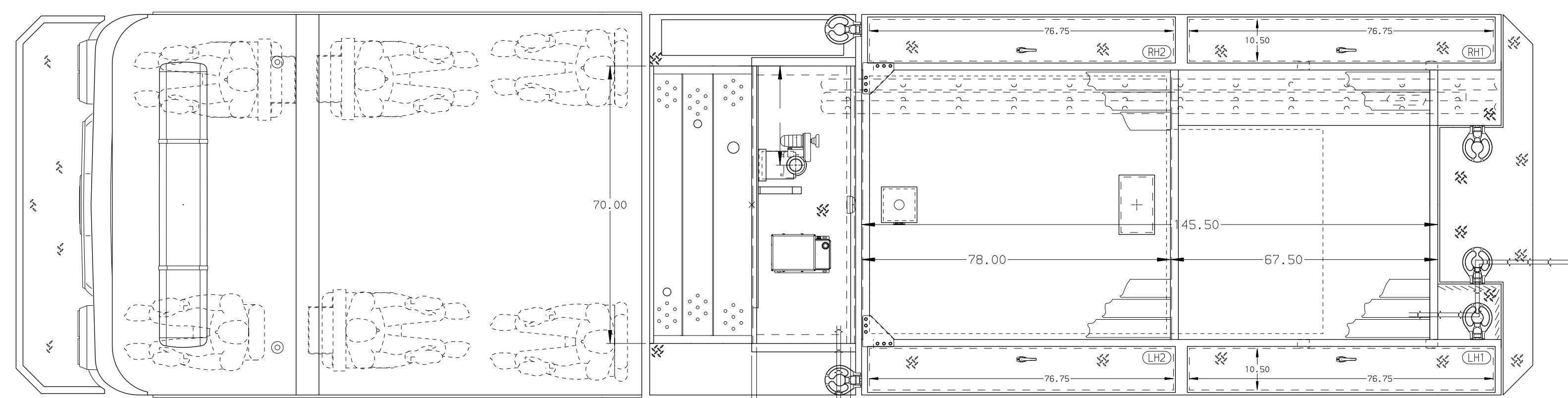
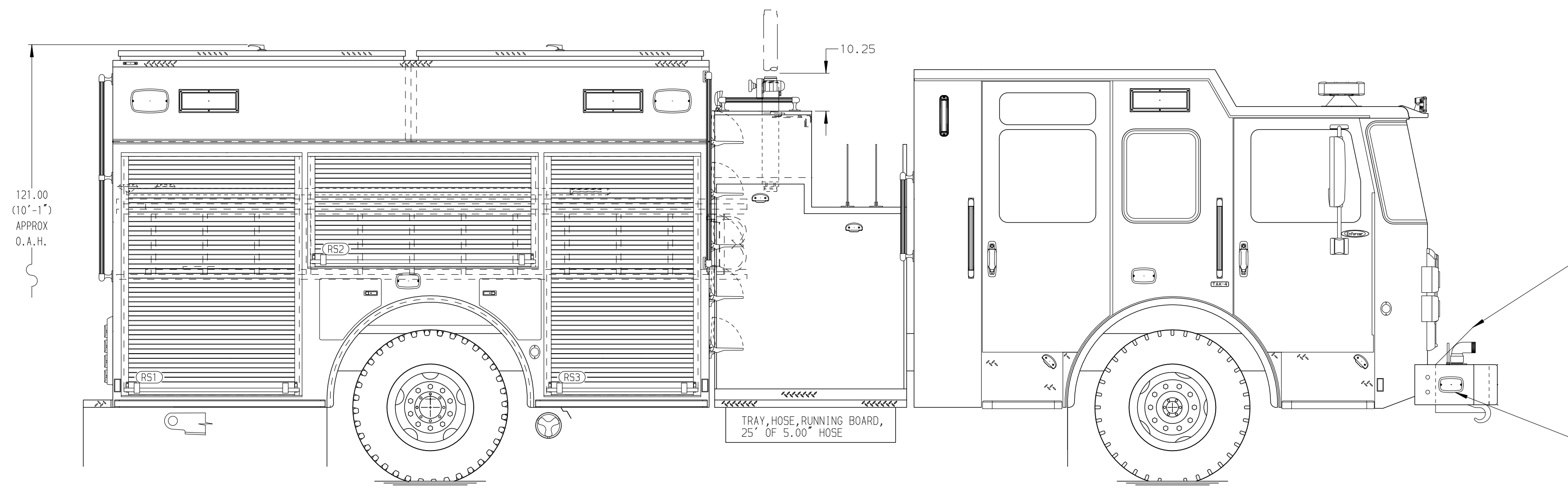
25 Gallon Foam Cell

Side Roll and Frontal Impact Protection

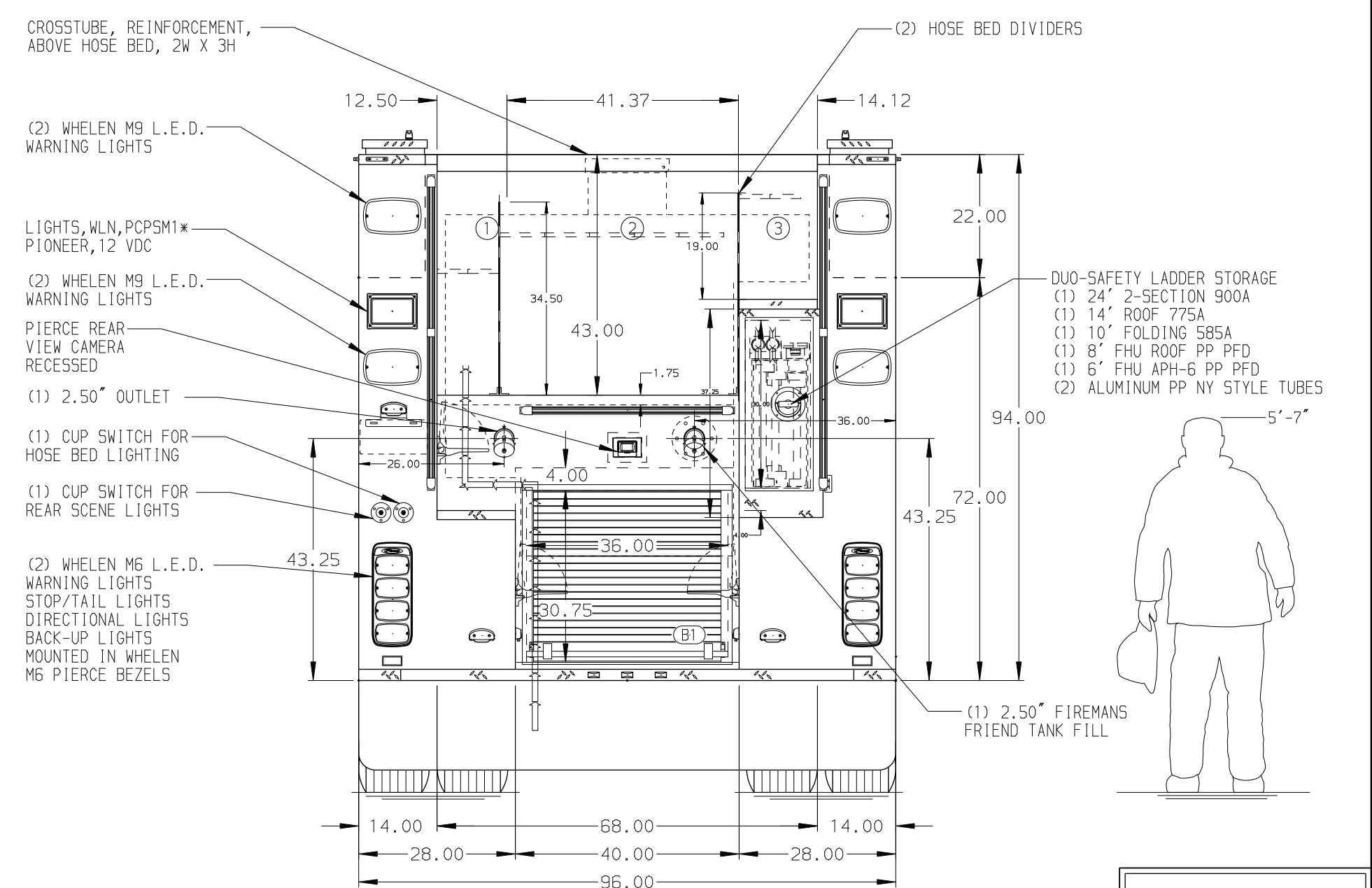
**NOTE**

DIMENSIONS SHOWN ARE APPROXIMATE AND ARE SUBJECT TO MINOR DEVIATIONS AS MAY OCCUR OR BE NECESSARY IN CONSTRUCTION. MINOR DETAILS NOT SHOWN.

- ONE 1.50" OUTLET WITH 2.00" PIPING AND SWIVEL LOCATED IN CENTER BUMPER TRAY OF THE CAB
- SHORELINE RECEPTACLE WITH KISSMAUL SUPER AUTO-EJECT LOCATED ON DRIVER SIDE OF THE CAB
- AIR INLET WITH DISCONNECT COUPLING IN THE DRIVER SIDE STEPWELL
- BATTERY CHARGER LOCATED BEHIND DRIVER'S SEAT
- BATTERY CHARGE INDICATOR DISPLAYED THROUGH DRIVER SIDE WINDOW
- SIX ADJUSTABLE SHELVES IN COMPARTMENTS PER SHOP ORDER
- FOUR FLOOR MOUNTED SLIDE-OUT TRAYS LOCATED PER SHOP ORDER
- PROVISIONS FOR FRONT INLET



HOSEBED CAPACITY	
BED 1	300' OF 3.00" D.J. POLY HOSE
BED 2	1000' OF 5.00" D.J. POLY HOSE
BED 3	250' OF 3.00" D.J. POLY HOSE



NFPA 1900 (2024) COMPLIANT

<b>Pierce MANUFACTURING INC.</b>		JOB NO.	44091
		SCALE	DATE
		1:24	
		DRAWN BY	28FEB25
		RHU	
		CHECKED BY	28FEB25
		JAP	
		SHEET SIZE	SHEET NO.
		D	1 OF 1

CHASSIS DATA	TITLE	Pierce Pumper Approval Drawing
MAKE	FOR	Pierce Field Unit
PIERCE		
MODEL	DWG NO.	44091AD
ENFORCER		