

PUMPER BODY

Medium Aluminum 2nd Gen Pumper

CHASSIS

Saber FR Chassis

CHASSIS AXLE, FRONT, CUSTOM

20,000 Lb Dana Axle

AXLE, REAR

24,000 Lb Dana Axle

ENGINE

450 HP Cummins L9 Engine

TRANSMISSION

Allison 6th Gen, 3000 EVS P

BUMPER

26" Extended Painted Steel

CAB

6010 Saber FR Cab

BODY

TOTAL TANK CAPACITY

750 Gallon New York Style Poly Tank

WATER CAPACITY

750 Gallons of Water

FOAM CELL CAPACITY

Foam Cell Not Required

COMPT, PUMPER, REAR

30.75" FF RollUp Rear Compt

COMPT, PUMPER, LEFT SIDE

152" RollUp Full Height Front & Rear FDLR

COMPT, PUMPER, RIGHT SIDE

152" RollUp Full Height Front & Rear FDLR

FIRE SUPPRESSION PUMPHOUSE

48" Control Zone Side Mount

PUMP

1500 GPM Waterous CX

CROSSLAYS, 1.50"

(2) 1.50" Standard Capacity

CROSSLAYS, 2.50"

(1) 2.50" Standard Capacity

SPEEDLAYS

SpeedLays Not Required

GENERATOR

Generator Not Required

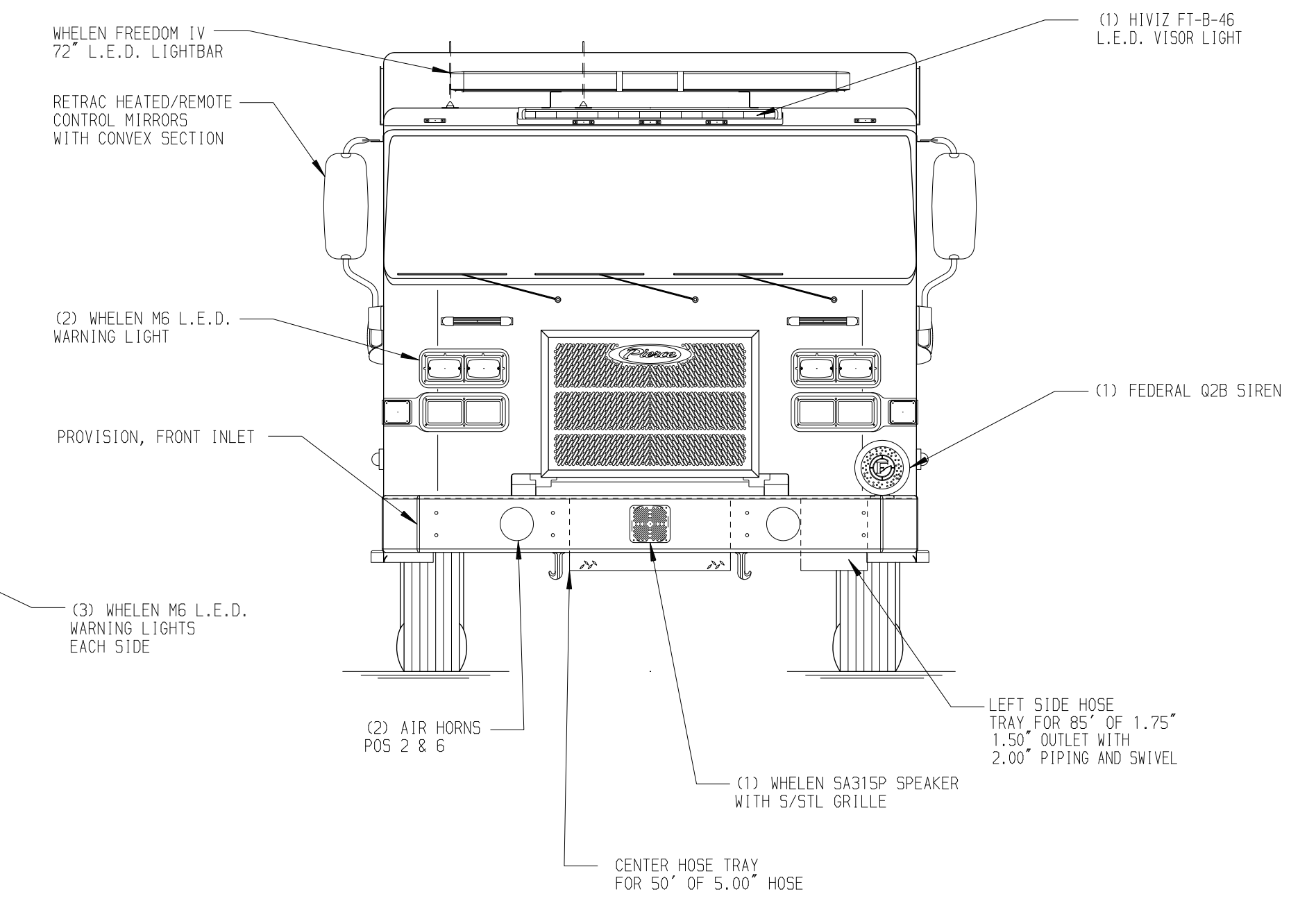
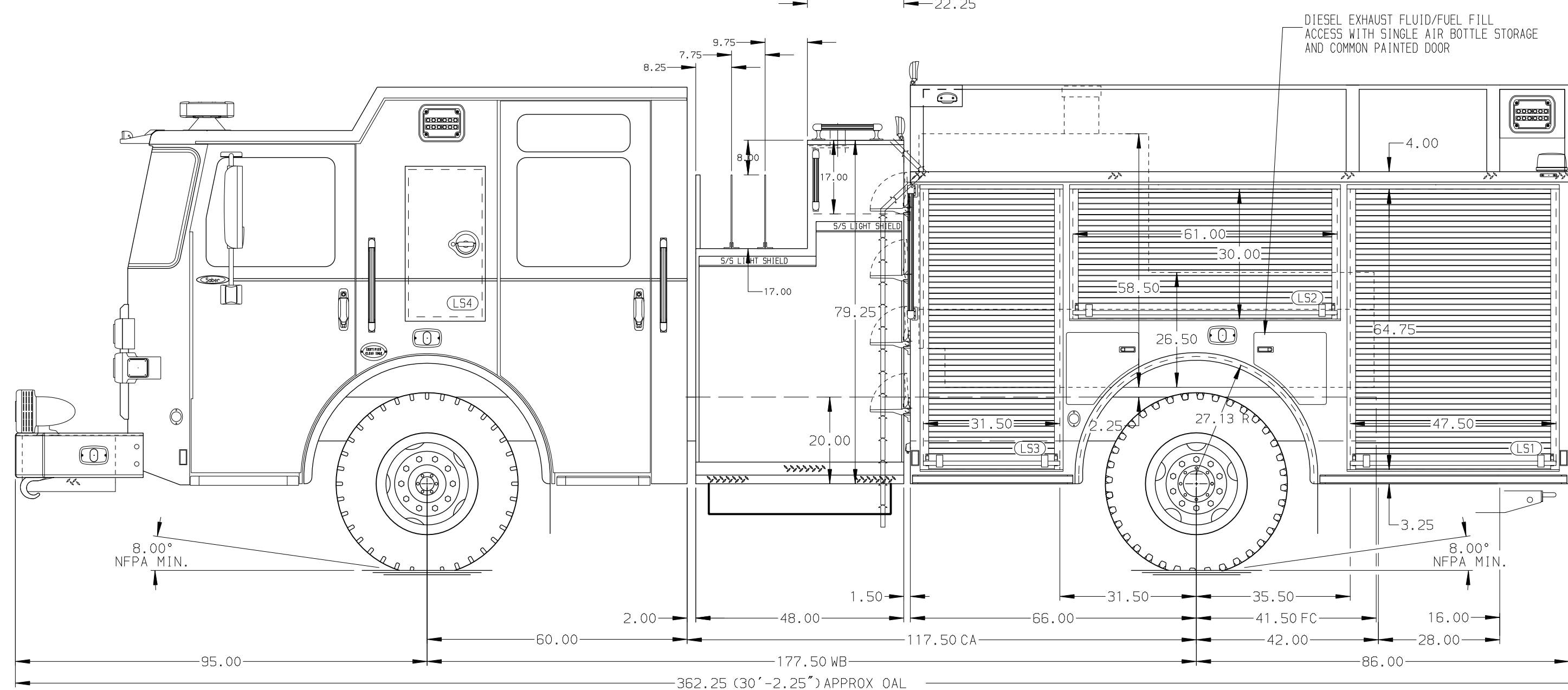
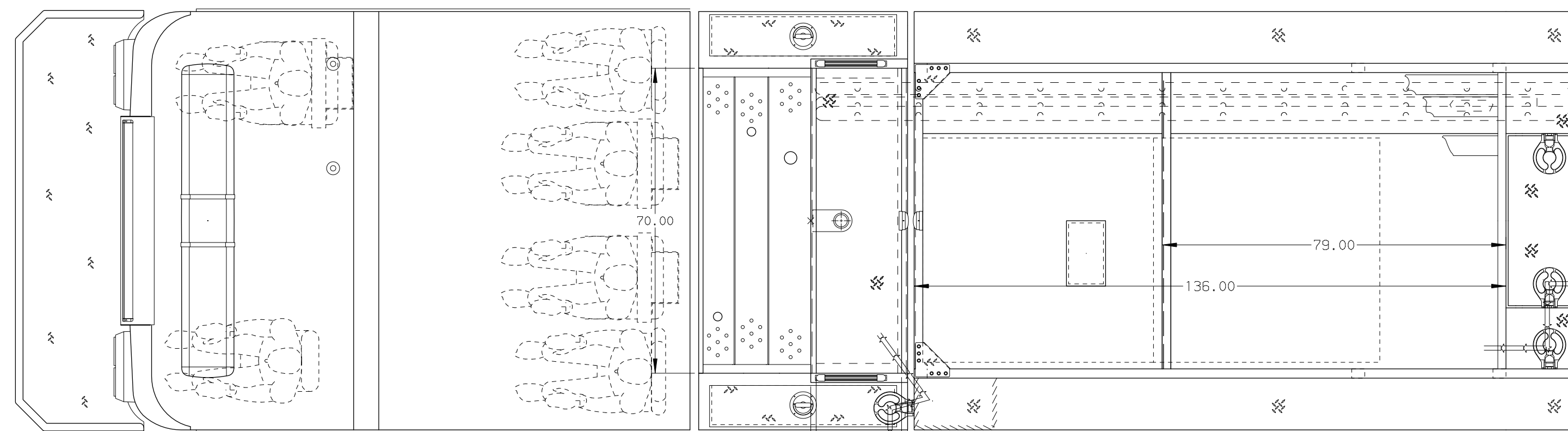
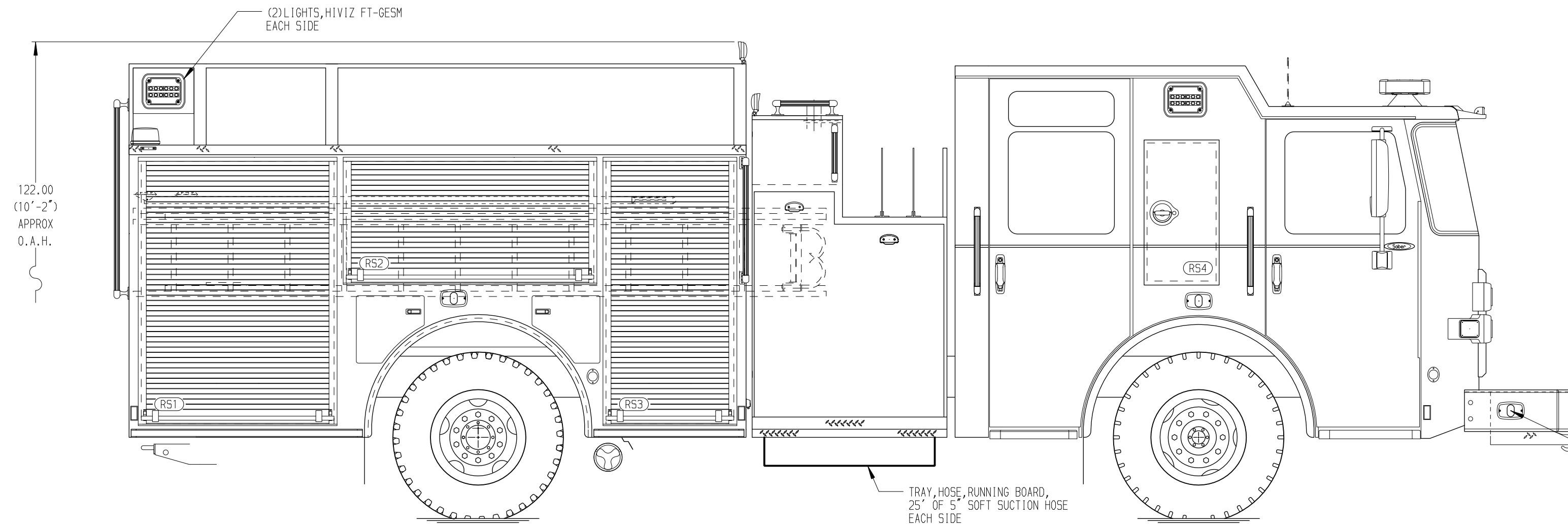
FOAM SYSTEM

Foam System Not Required

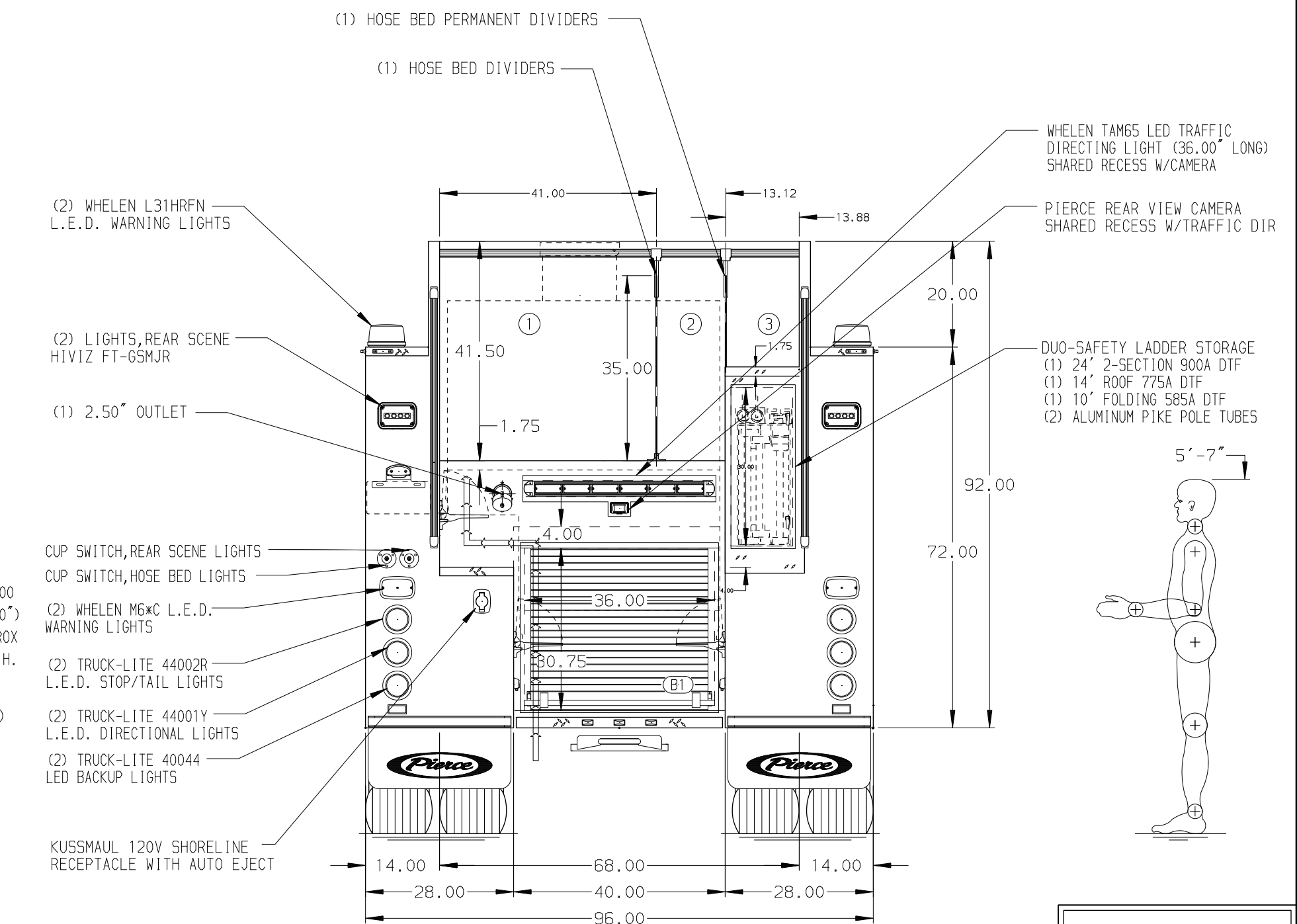
SAFETY

NOTE

DIMENSIONS SHOWN ARE APPROXIMATE AND ARE SUBJECT TO MINOR DEVIATIONS AS MAY OCCUR OR BE NECESSARY IN CONSTRUCTION. MINOR DETAILS NOT SHOWN.



- HOSEBED CAPACITIES**
- ① 1000' OF 5.00" D.J. POLY HOSE
 - ② 500' OF 2.50" D.J. POLY HOSE
 - ③ EMPTY



NFPA 1900 (2024) COMPLIANT

		JOB NO.	44302
		SCALE	1:24
Pierce MANUFACTURING INC.		TITLE	Pierce Pumper Approval Drawing
		DATE	
		DRAWN BY	VHO
		DATE	09JUN25
		CHECKED BY	MMF
		DATE	10JUN25
		SHEET SIZE	D
		SHEET NO.	1 OF 1

REV	DATE	BY	CH	DESCRIPTION
1	11SEP25	RHU	CGA	PIERCE
2	01AUG25	RHU	CGA	PIERCE

CHASSIS DATA	TITLE	Pierce Pumper Approval Drawing
MAKE	FOR	Village of Carpentersville Fire Department
MODEL	DWG NO.	44302AD
Saber FR	NO.	