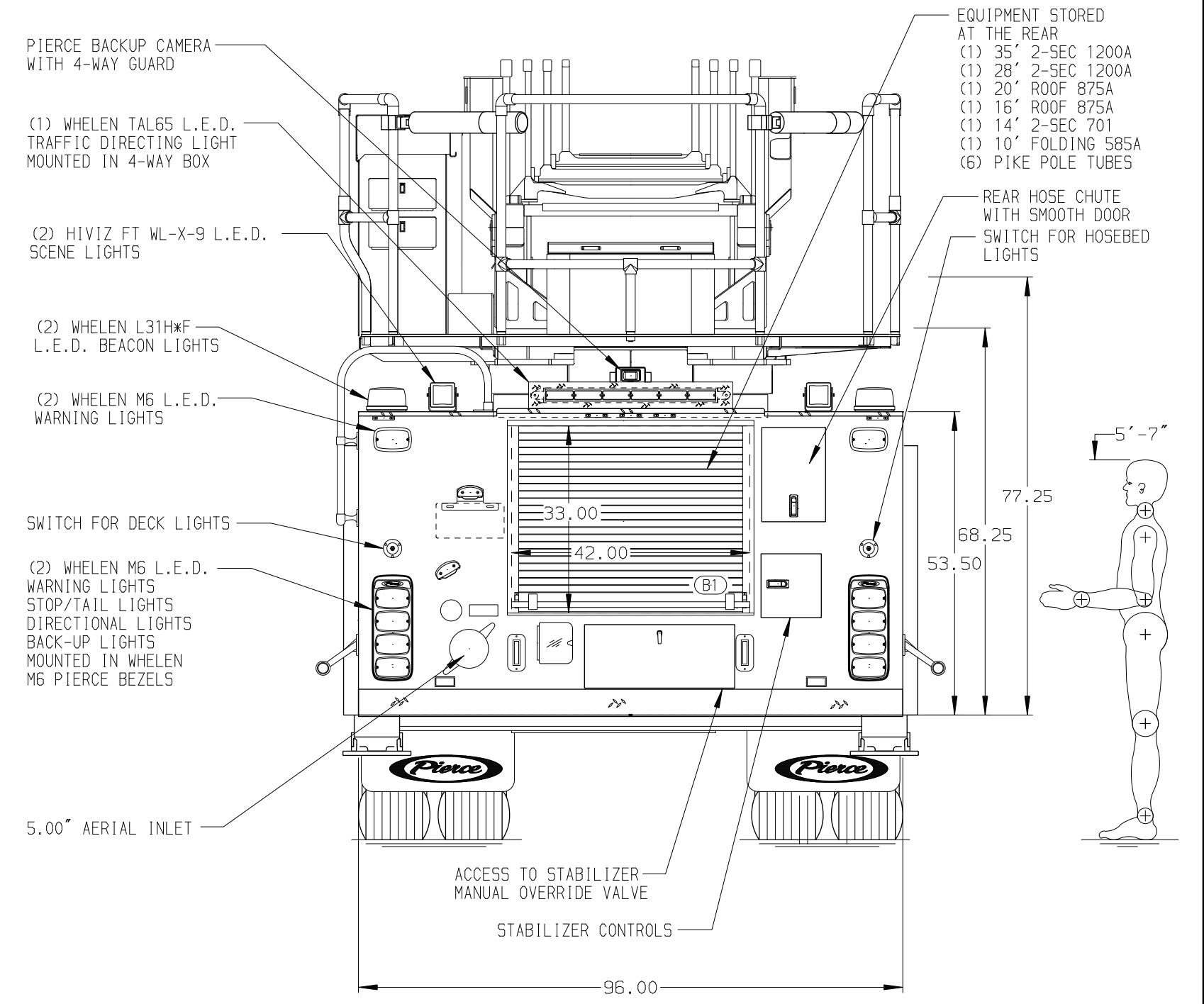
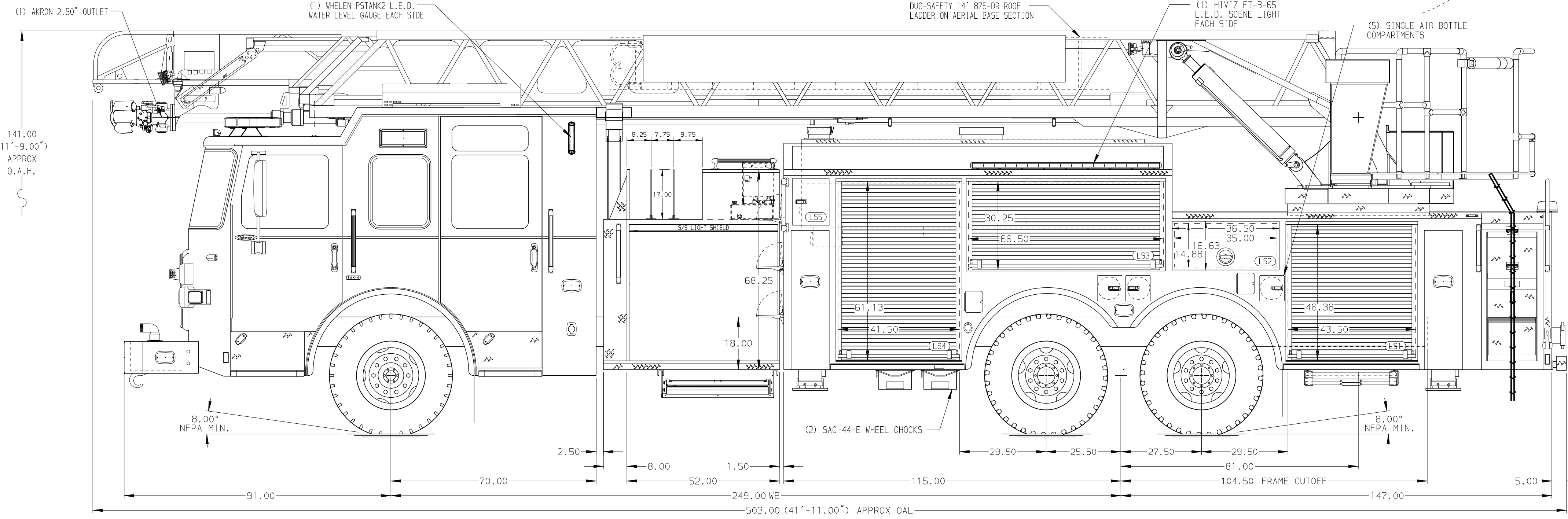


BODY 107' Tandem Axle Platform Aluminum Body	TOTAL TANK CAPACITY 520 Gallon Poly Tank
COMPT, DRIVER SIDE FRONT FH/FD RollUp w/o Chute	WATER CAPACITY 500 Gallons of Water
COMPT, DRIVER SIDE REAR FH/FD RollUp and Lift-up rearward	FOAM CELL CAPACITY 20 Gallon Foam Cell
COMPT, PASSENGER SIDE FRONT Full Height RollUp Forward	FOAM SYSTEM Plumbing For Future Husky Foam System
COMPT, PASSENGER SIDE REAR Full Height RollUp and Liftup Rearward	



CHASSIS Enforcer Chassis 605 HP Cummins X15 Engine	CAB 7010 Enforcer Cab 22' Extended Pointed Steel	AXLE, FRONT, CUSTOM 22,800 Lb TAK-4 Axle AXLE, REAR 44,000 Lb Meritor Axle	TRANSMISSION Allison 6th Gen, 4000 EV5 P	PUMPHOUSE 52' Control Zone Side Mount PUMP 2000 GPM Waterous CSU	CROSSLAYS, 1.50" (2) 1.75" Standard Capacity CROSSLAYS, 2.50" (1) 2.50" Standard Capacity	SPEEDLAYS Speedlays Not Required GENERATOR Generator Not Required	SAFETY Side Roll and Frontal Impact Protection
-----------------------------------------------------------------	---------------------------------------------------------------	---------------------------------------------------------------------------------------------------	----------------------------------------------------	----------------------------------------------------------------------------------	------------------------------------------------------------------------------------------------------------------	------------------------------------------------------------------------------------------	-------------------------------------------------------------

NOTE
DIMENSIONS SHOWN ARE APPROXIMATE AND ARE SUBJECT TO MINOR DEVIATIONS AS MAY OCCUR OR BE NECESSARY IN CONSTRUCTION. MINOR DETAILS NOT SHOWN.

- 21.00" LIMITED RETRACTION REQUIRED
- ONE 1.50" OUTLET WITH 2.00" PIPING AND SWIVEL LOCATED IN CENTER BUMPER TRAY
- SHORELINE RECEPTACLE WITH KUSSMALL SUPER AUTO-EJECT LOCATED BEHIND DRIVERS CREW CAB DOOR
- AIR INLET WITH DISCONNECT COUPLING LOCATED ON PUMP PANEL
- BATTERY CHARGER LOCATED PER ORDER
- BATTERY CHARGER INDICATOR LOCATED PER ORDER
- FIVE ADJUSTABLE SHELVES LOCATED IN COMPARTMENTS PER ORDER
- THREE FLOOR MOUNTED SLIDE-OUT TRAYS LOCATED IN COMPARTMENTS PER ORDER
- ONE SWING-OUT TOOLBOARD LOCATED IN COMPARTMENT PER ORDER
- ONE PEGBOARD MOUNTED ON COMPARTMENT BACK WALL LOCATED PER ORDER
- TECNIO 4-SECTION RUNG LIGHTING AT AERIAL DEVICE
- TWO RECEPTACLES LOCATED PER ORDER
- 1500 GPM HIGH FLOW WATERWAY
- 3.00" RAISED AERIAL PEDESTAL
- ONE CTECH (3) DRAWER INSERT PER ORDER

Pierce MANUFACTURING INC.		JOB NO.	44319
		SCALE	DATE
		1:24	16JUL25
		CHECKED BY	28JUL25
		JLO	
		SHEET SIZE	SHEET NO.
		D	1 OF 1

REV	DATE	BY	CH	ENFORCER
1	18FEB26	LWE	AST	CHASSIS DATA
2	21NOV25	LWE	AST	MAKE
3	30SEP125	LWE	AST	PIERCE
4	01AUG25	LWE	JLO	MODEL

TITLE	107' ASCENDANT AERIAL LADDER AND BODY ASSEMBLY
FOR	ROSENBERG FIRE DEPT RICHMOND, TX
DWG NO.	44319AD