

PUMPER BODY

Long Aluminum 2nd Gen Pumper

CHASSIS

Saber FR Chassis

CHASSIS AXLE, FRONT, CUSTOM

19,500 Lb TAK-4 Axle

AXLE, REAR

24,000 Lb Dana Axle

ENGINE

510 HP Paccar MX13 Engine

TRANSMISSION

Allison 6th Gen, 4000 EVS P

BUMPER

26" Extended Painted Steel

CAB

7010 Saber FR Cab

BODY

TOTAL TANK CAPACITY

500 Gallon New York Style Poly Tank

WATER CAPACITY

500 Gallons of Water

FOAM CELL CAPACITY

Foam Cell Not Required

COMPT, PUMPER, REAR

30.75" FF RollUp Rear Compt

COMPT, PUMPER, LEFT SIDE

161" Lap Full Height & Depth Front & Rear

COMPT, PUMPER, RIGHT SIDE

161" Lap Full Height & Depth Front & Rear BIB

FIRE SUPPRESSION PUMPHOUSE

45" Control Zone Side Mount

PUMP

2000 GPM Waterous CSU

CROSSLAYS, 1.50"

(2) 1.50" Standard Capacity

CROSSLAYS, 2.50"

(1) 2.50" Standard Capacity

SPEEDLAYS

SpeedLays Not Required

GENERATOR

Generator Not Required

FOAM SYSTEM

Foam System Not Required

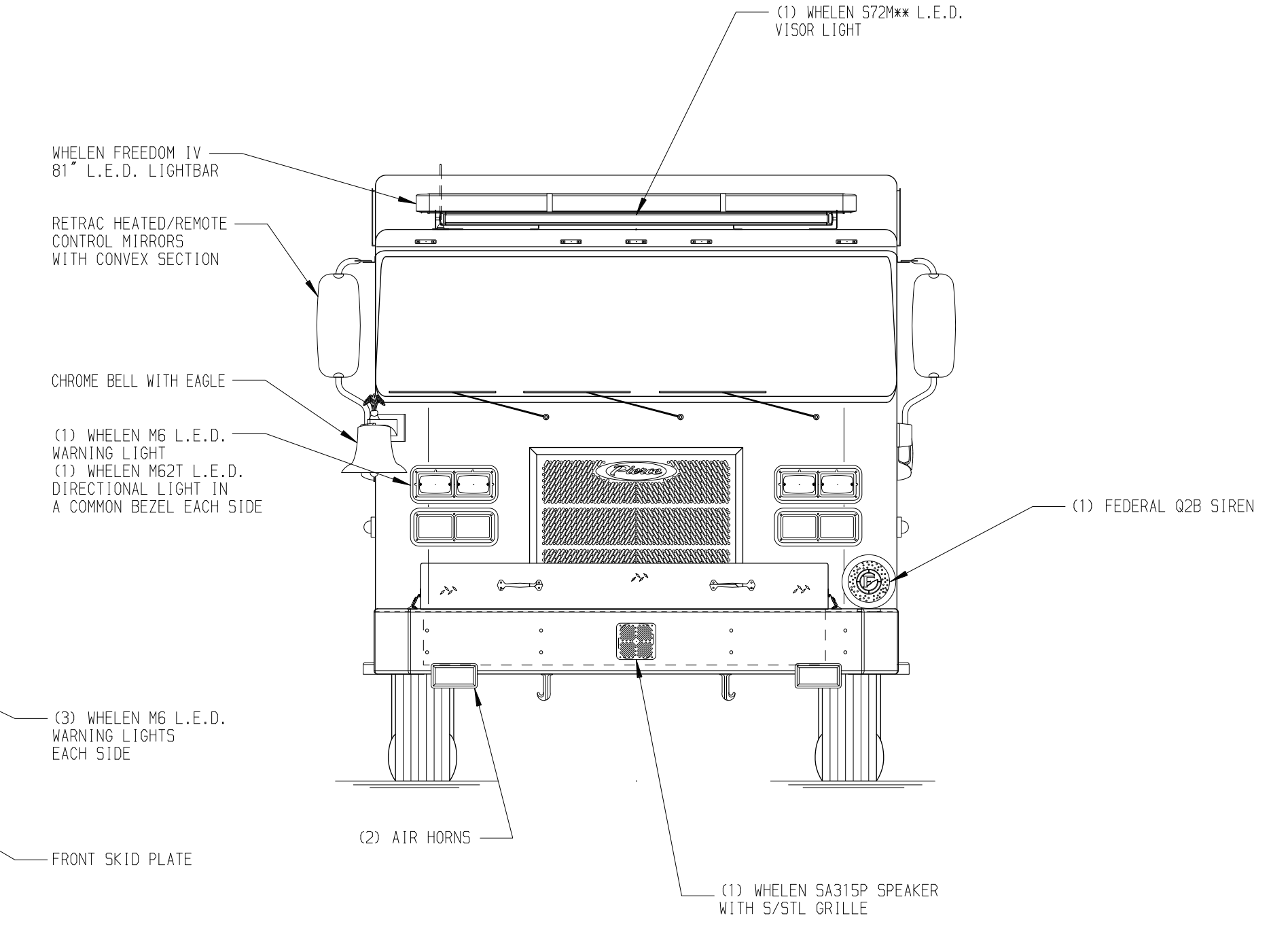
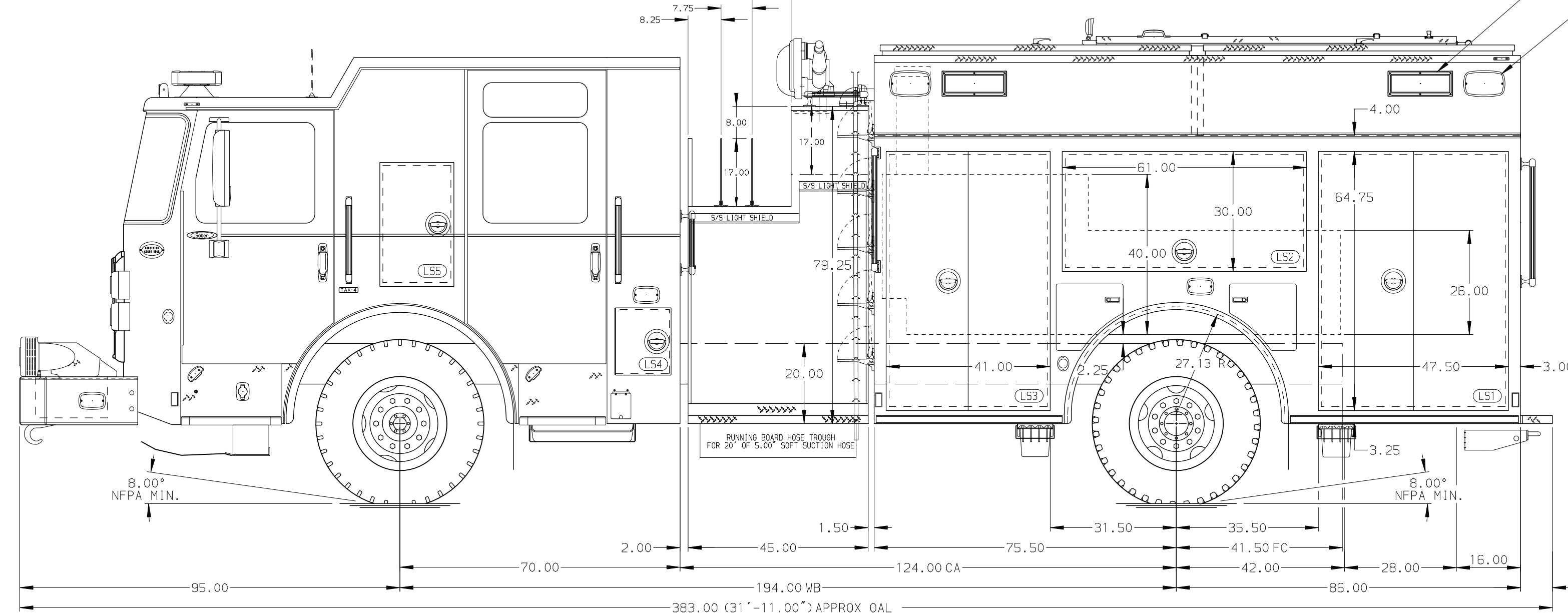
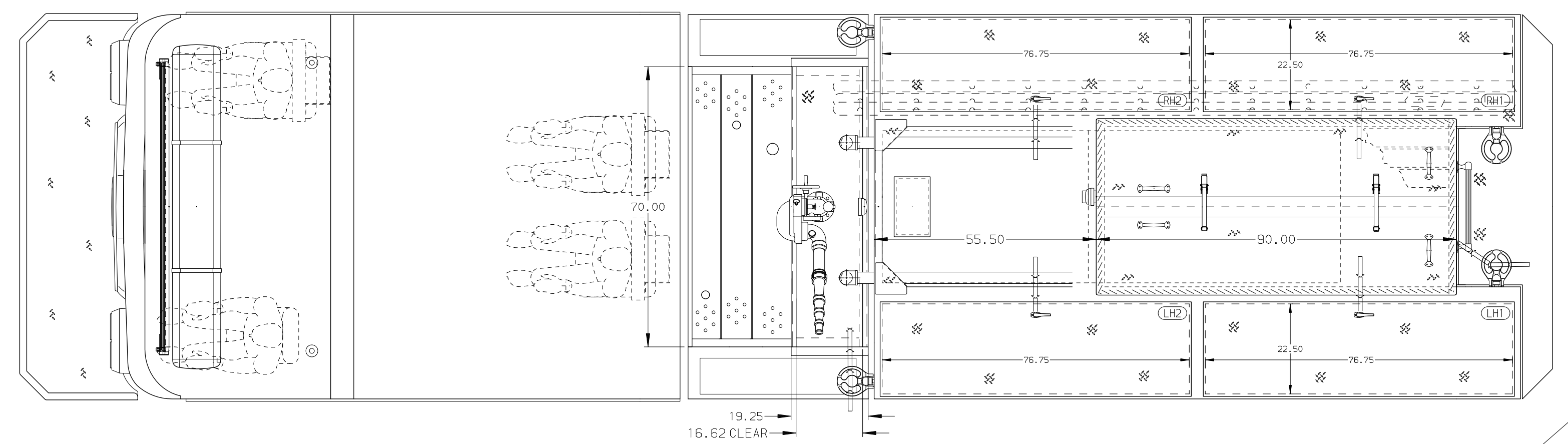
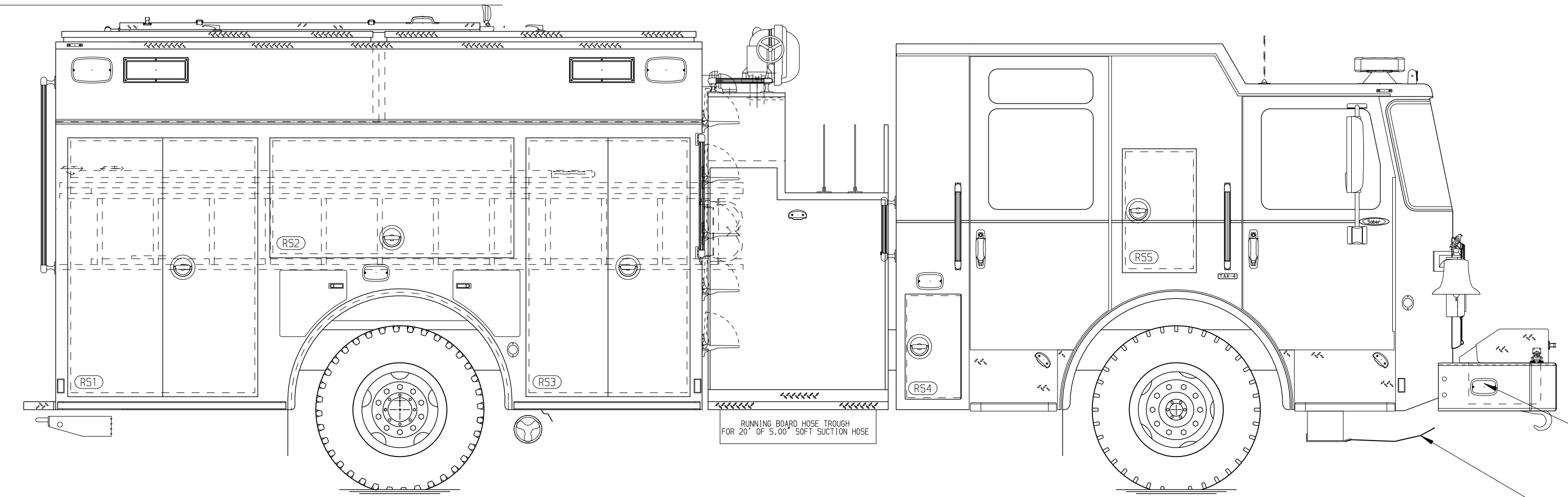
SAFETY

Side Roll and Frontal Impact Protection

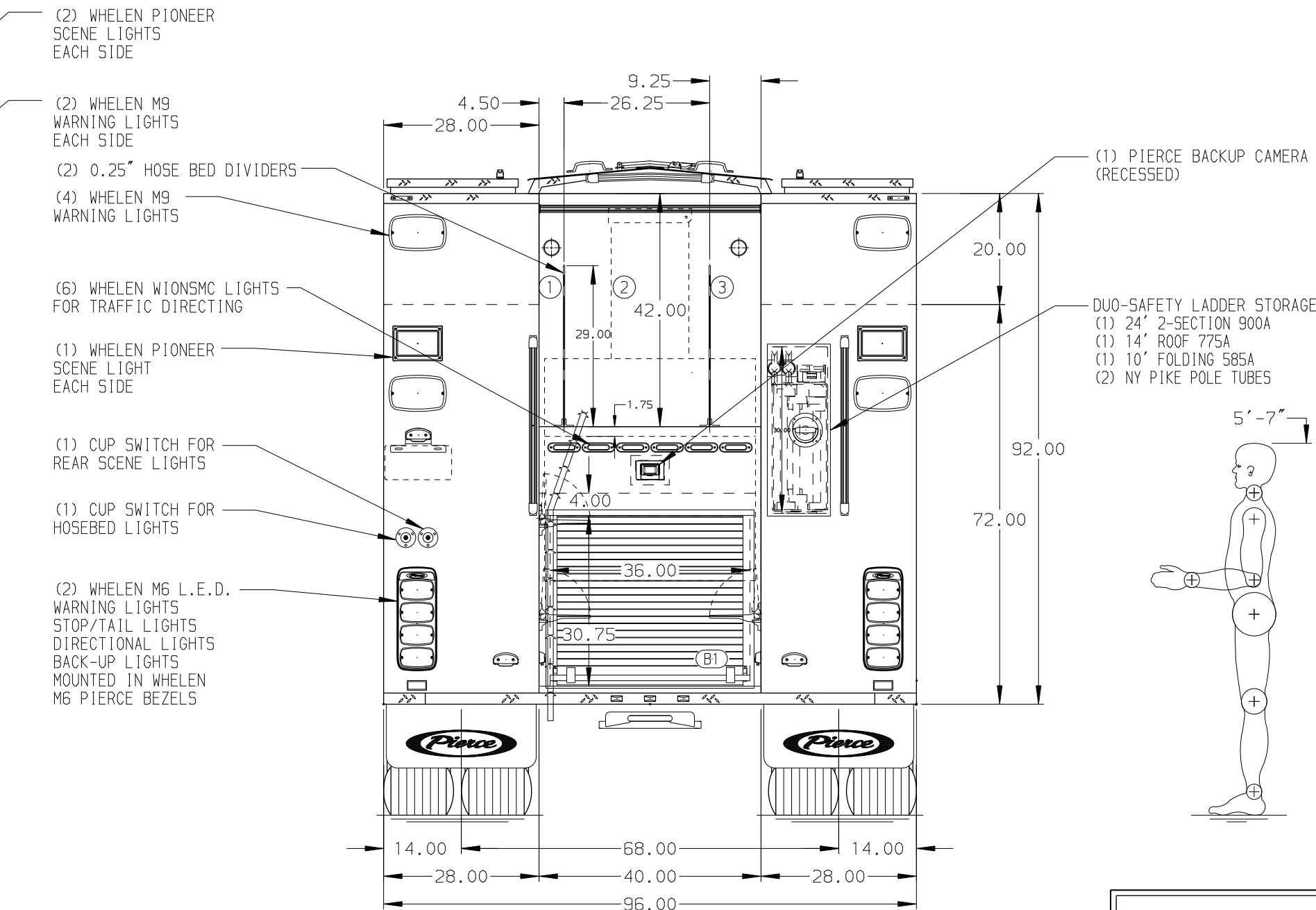
NOTE

DIMENSIONS SHOWN ARE APPROXIMATE AND ARE SUBJECT TO MINOR DEVIATIONS AS MAY OCCUR OR BE NECESSARY IN CONSTRUCTION. MINOR DETAILS NOT SHOWN.

125.00
(10'-5")
APPROX
O.A.H.



- HOSEBED CAPACITIES
- ① 300' OF 1.75" D.J. POLY HOSE
 - ② 1000' OF 4.00" D.J. POLY HOSE
 - ③ 300' OF 2.50" D.J. POLY HOSE



NFPA 1900
(2024)
COMPLIANT

Pierce MANUFACTURING INC.		JOB NO.	44467
TITLE		SCALE	DATE
Pierce Pumper Approval Drawing		1:24	
FOR		DRAWN BY	30JUN25
Liberty Missouri Fire Department		CHECKED BY	1JUL25
DWG NO.		SHEET SIZE	SHEET NO.
44467AD		D	1 OF 1

CHASSIS DATA	TITLE	Pierce Pumper Approval Drawing
MAKE	FOR	Liberty Missouri Fire Department
PIERCE	DWG NO.	44467AD
MODEL		
SABER FR		