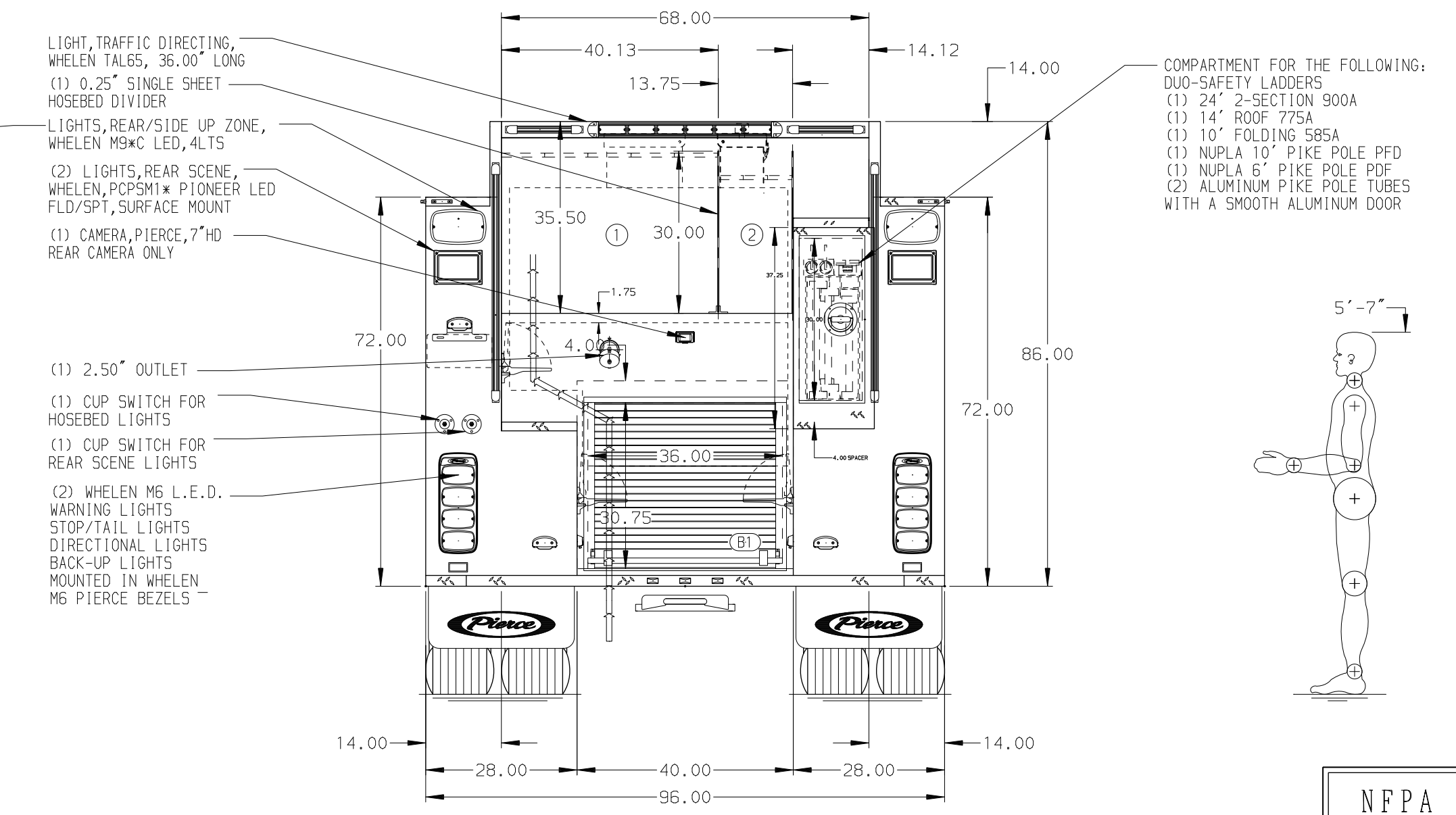
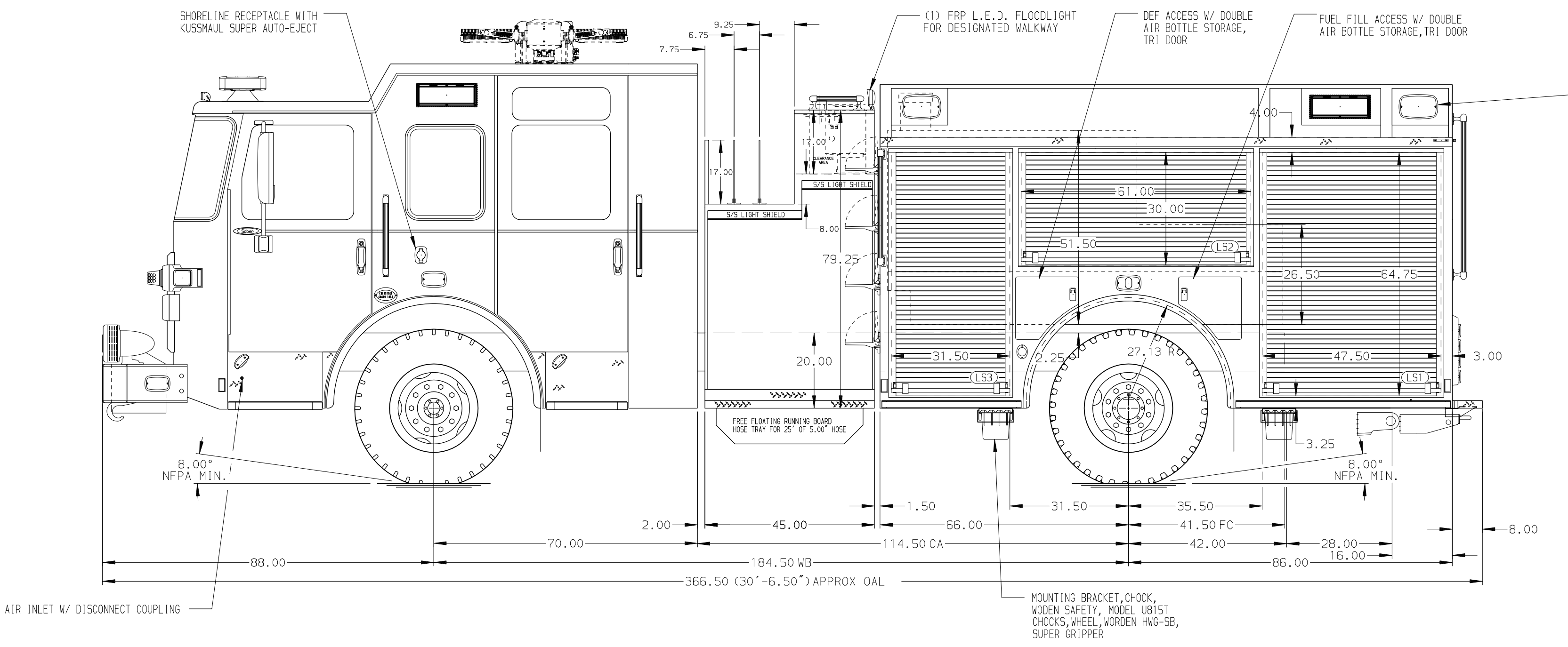


- HOSEBED CAPACITIES
- ① 1000' OF 5.00" D.J. POLY HOSE
 - ② 500' OF 2.50" D.J. POLY HOSE



NOTE
DIMENSIONS SHOWN ARE APPROXIMATE AND ARE SUBJECT TO MINOR DEVIATIONS AS MAY OCCUR OR BE NECESSARY IN CONSTRUCTION. MINOR DETAILS NOT SHOWN.

CHASSIS DATA	TITLE	1500-D-750P, 725G WATER, 25G FOAM, 152" 2G PUMPER
MAKE	FOR	45" SIDE CONTROL, (2) 1.75, (1) 2.5 CROSSLAYS, HARD WIRED
PIERCE		PIERCE FIELD UNIT
MODEL	DWG NO.	44483AD
SABER FR	NO.	

JOB NO.	44483
SCALE	DATE
1:24	
DRAWN BY	22MAY25
ADP	
CHECKED BY	23MAY25
JAP	
SHEET SIZE	SHEET NO.
D	1 OF 1



NFPA 1900
(2024)
COMPLIANT