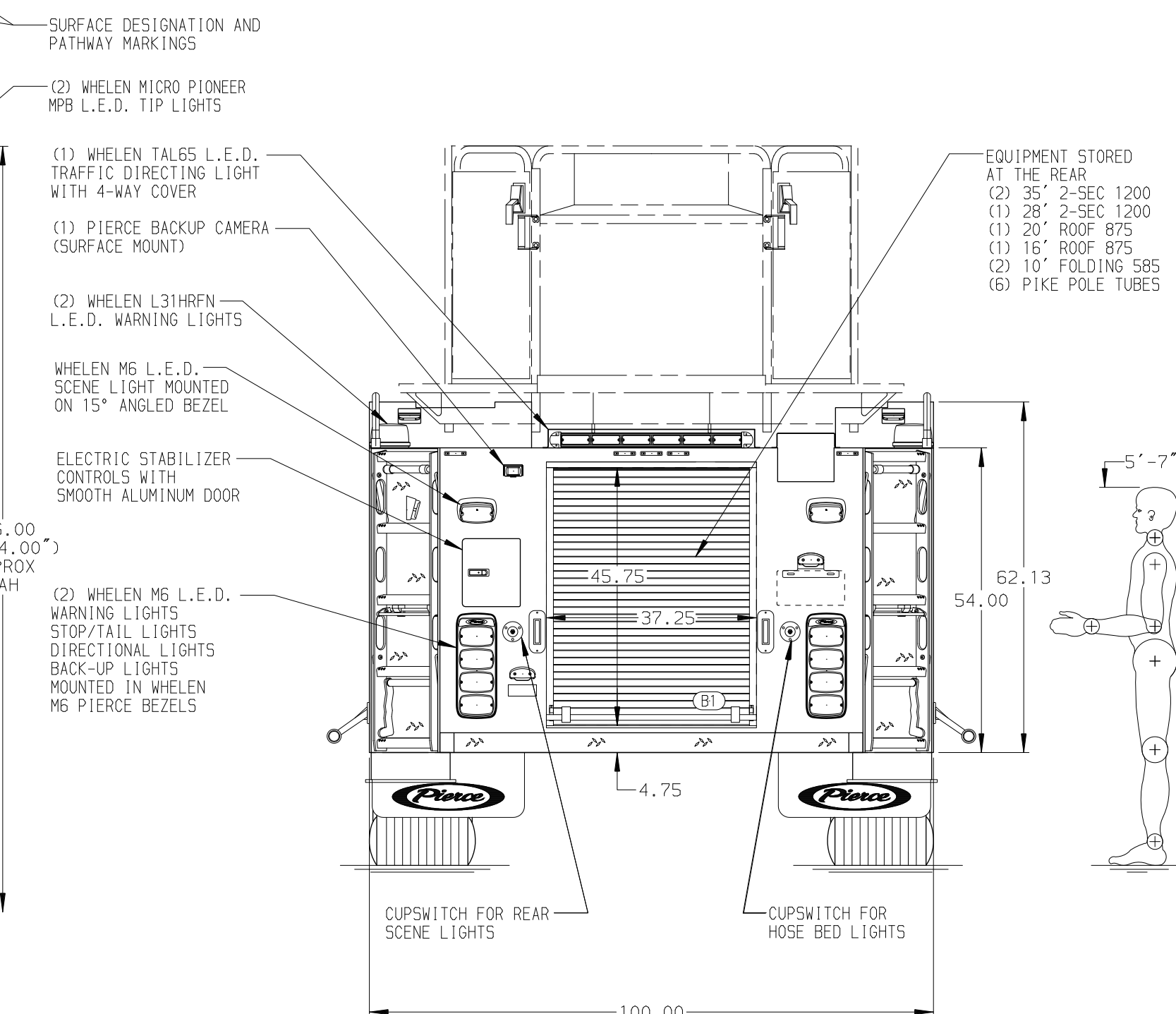
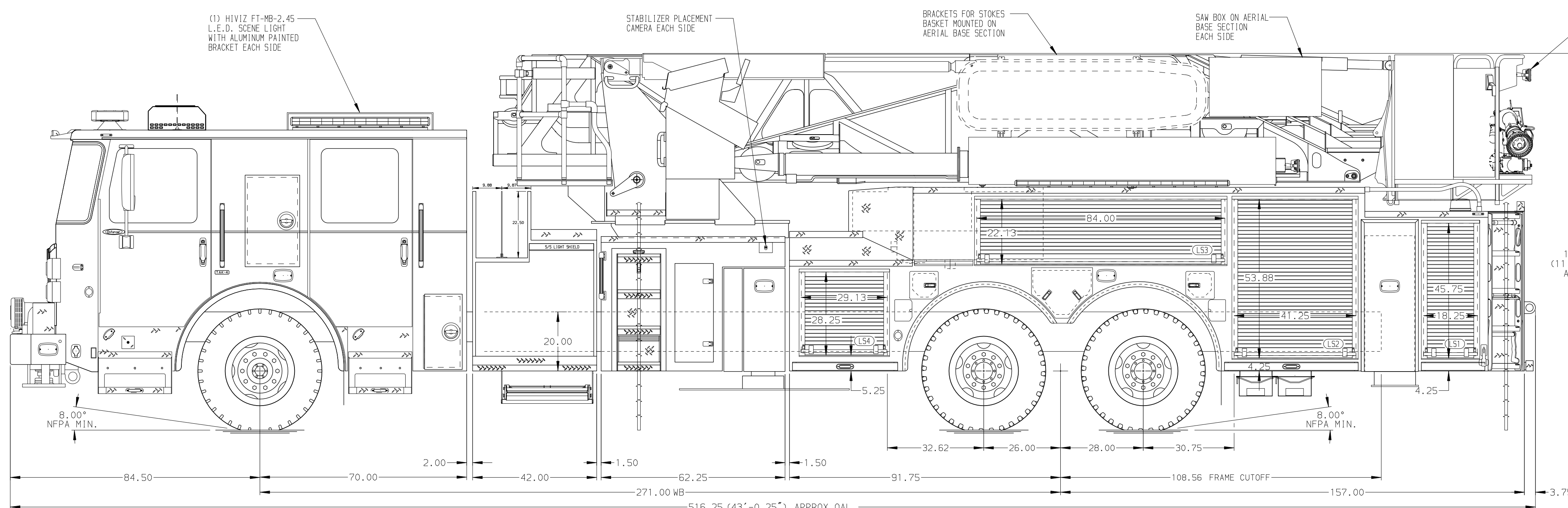


| | |
|--|---|
| BODY 100' Ascendant Aerial Tower Alum Body | TOTAL TANK CAPACITY 300 Gallon Poly Tank |
| COMPT, LEFT SIDE Full Height & Full Depth RollUp Doors | WATER CAPACITY 300 Gallons of Water |
| COMPT, RIGHT SIDE Full Height RollUp Doors | FOAM CELL CAPACITY Foam Cell Not Required |
| | FOAM SYSTEM Foam System Not Required |



| | | | | | | | |
|--|---|---|---|--|--|--|---|
| CHASSIS Enforcer Chassis ENGINE 605 HP Cummins X15 Engine | CAB 7000 Enforcer Cab BUMPER 15" Painted Steel | ELECTRICAL SYSTEM MUX TRANSMISSION ALLison 6th Gen, 4000 EVS P | AXLE, FRONT, CUSTOM 24,000 Lb TAK-4 Axle AXLE, REAR 52,640 Lb TAK-4 Axle, REAR STEER | PUMPHOUSE 42" Control Zone Side Mount PUMP 2000 GPM Waterous ESUI | CROSSLAYS, 1.50" (2) 1.50" Standard Capacity CROSSLAYS, 2.50" 2.50" Crosslay Not Required | SPEEDLAYS Speedlays Not Required GENERATOR Generator Not Required | SAFETY Side Roll and Frontal Impact Protection |
|--|---|---|---|--|--|--|---|

NOTE
DIMENSIONS SHOWN ARE APPROXIMATE AND ARE SUBJECT TO MINOR DEVIATIONS AS MAY OCCUR OR BE NECESSARY IN CONSTRUCTION. MINOR DETAILS NOT SHOWN.

- SHORELINE RECEPTACLE WITH KUSSMAUL SUPER AUTO-EJECT LOCATED ON DRIVERS SIDE FRONT CAB CORNER
- AIR INLET WITH DISCONNECT COUPLING RECESSED IN THE DRIVER SIDE STEPPWELL
- BATTERY CHARGER LOCATED PER ORDER
- BATTERY CHARGE INDICATOR LOCATED ON DRIVER SEAT RISER
- ONE ALUMINUM SLIDE-OUT TOOLBOARD LOCATED IN COMPARTMENT PER ORDER
- FIVE ADJUSTABLE SHELVES LOCATED IN COMPARTMENTS PER ORDER
- FOUR FLOOR MOUNTED SLIDE-OUT TRAYS LOCATED IN COMPARTMENTS PER ORDER
- TECNO 5-SECTION RUNG LIGHTING AT AERIAL DEVICE
- DC POWER TO AERIAL TIP
- 3-in-1 LYFECOMBO BRACKETS AT AERIAL BASKET

- TECNO RUNG LIGHTING AT AERIAL DEVICE
- FIVE RECEPTACLES LOCATED PER ORDER
- TWO WHELEN PS18 LIGHTS MOUNTED UNDER BASKET STEPS PER ORDER
- WIRELESS CAMERA AT AERIAL BASKET

| | | | | |
|--------------|------------|---|-----------|---------|
| CHASSIS DATA | TITLE | 100' ASCENDANT AERIAL TOWER AND BODY ASSEMBLY | JOB NO. | 44681 |
| MAKE | FOR | CITY OF DECATUR DECATUR, IN | SCALE | 1:24 |
| PIERCE | CHECKED BY | JLO | DATE | 25JUN25 |
| MODEL | SHEET SIZE | D | SHEET NO. | 1 OF 1 |
| ENFORCER | DWG NO. | 44681AD | | |
| REV | DATE | BY | CH | |
| 17NOV25 | | ZMI | AST | |

