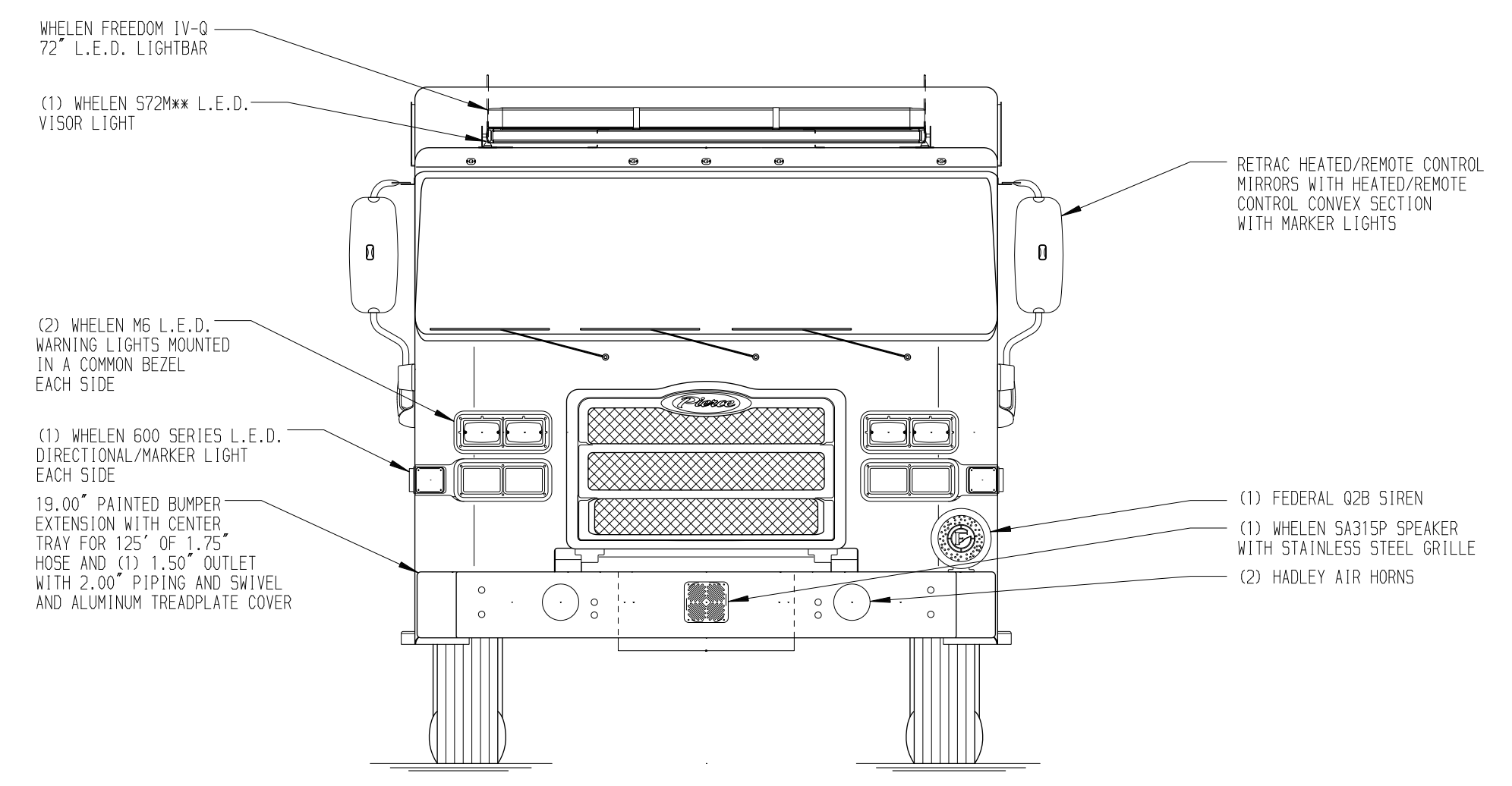
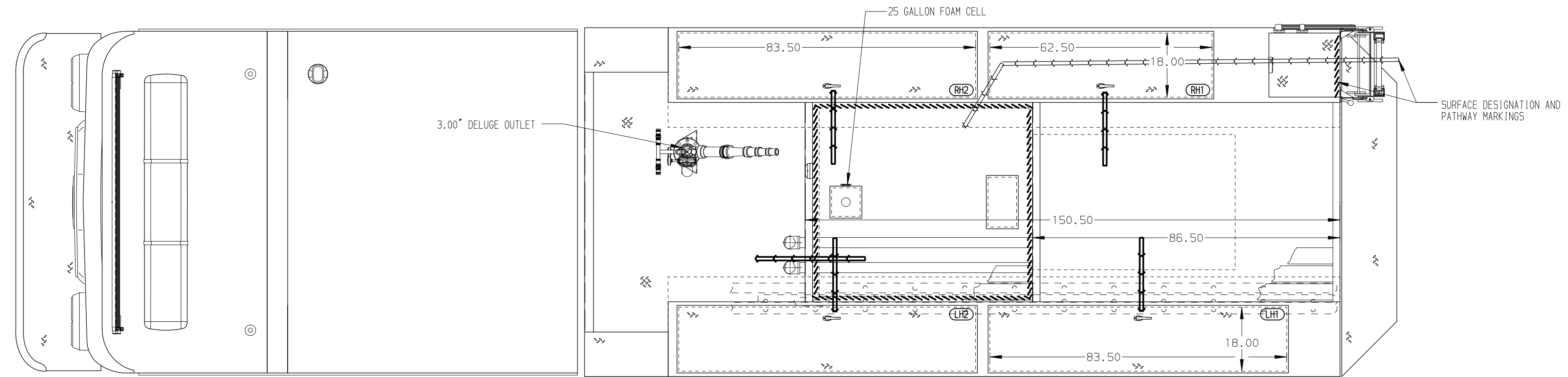


138.00 (11'-6") APPROX O.A.H.

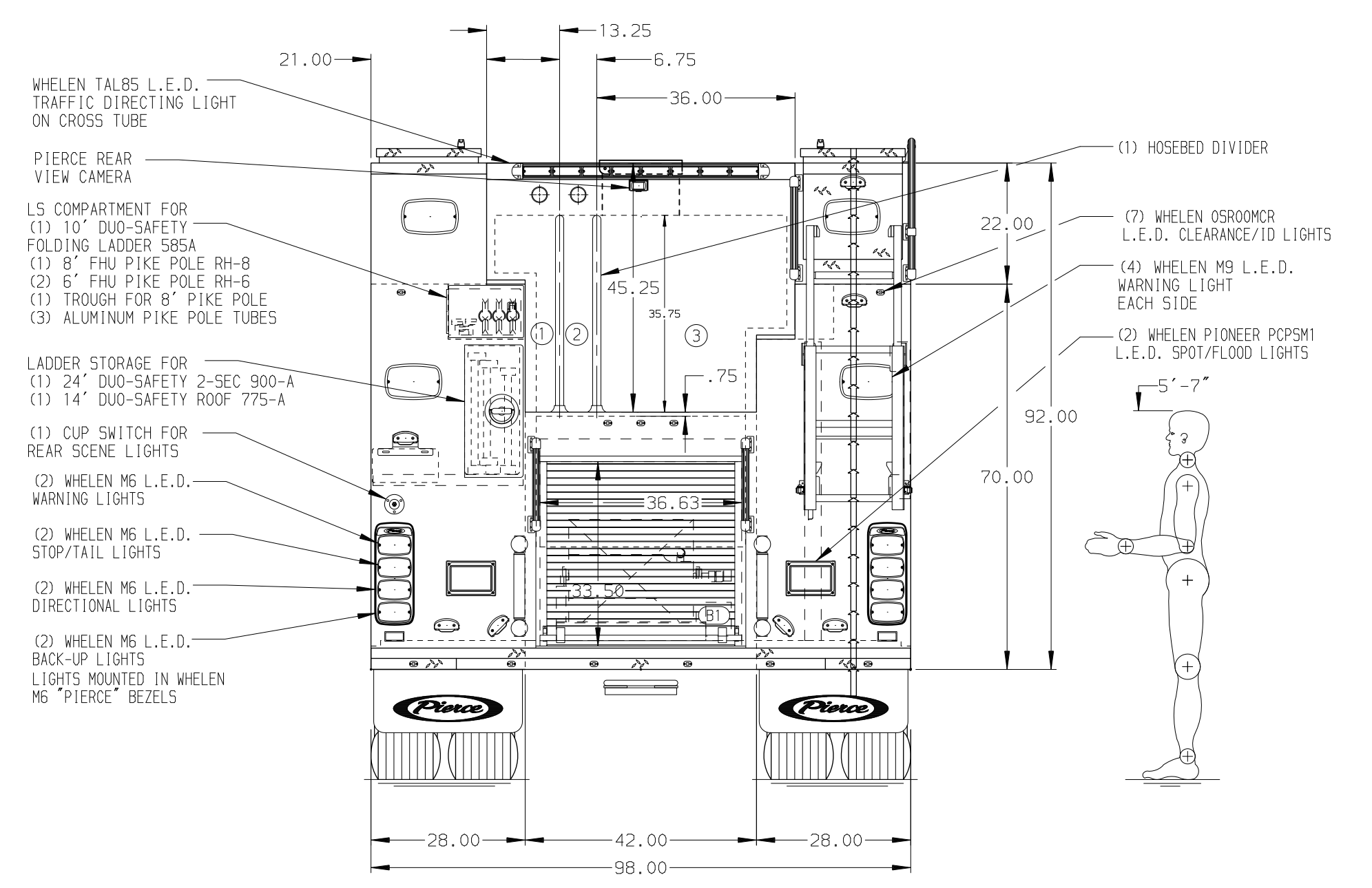
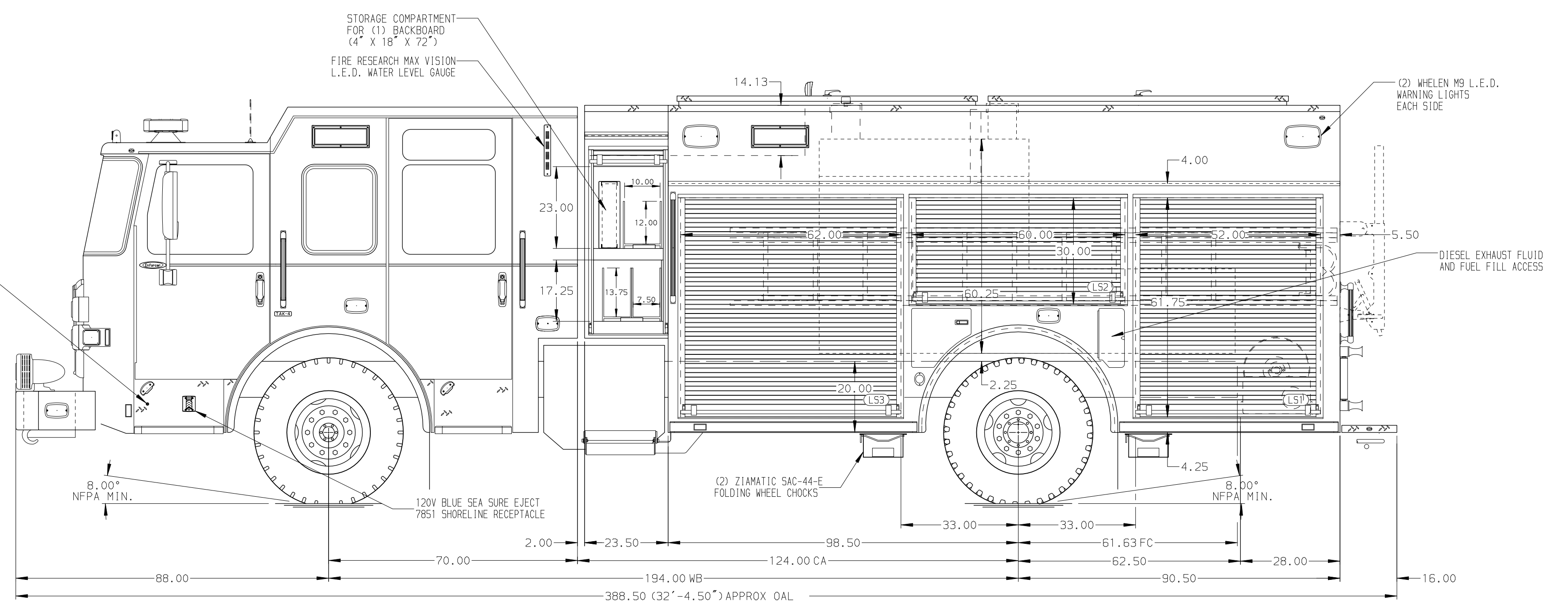


HOSEBED CAPACITIES

① 300' OF 2.50" D.J. HOSE

② 300' OF 2.50" D.J. HOSE

③ 1000' OF 5.00" D.J. HOSE



ALUMINUM BODY

NOTE  
DIMENSIONS SHOWN ARE APPROXIMATE AND ARE SUBJECT TO MINOR DEVIATIONS AS MAY OCCUR OR BE NECESSARY IN CONSTRUCTION. MINOR DETAILS NOT SHOWN.

- BATTERY CHARGER LOCATED BEHIND THE DRIVER'S SEAT
- BATTERY CHARGER INDICATOR LOCATED ON DRIVER'S SEAT RISER
- DUAL L.E.D. LIGHT STRIPS LOCATED IN HOSE BED
- SIX FULL WIDTH/DEPTH ADJUSTABLE SHELVES LOCATED PER ORDER
- TWO FLOOR MOUNTED SLIDE-OUT TRAYS WITH SIDE SLIDES LOCATED PER ORDER
- TWO SWING-OUT ALUMINUM TOOL BOARDS LOCATED PER ORDER
- PARTITION BETWEEN L51/B1 AND R51/B1
- HANNAY ALUMINUM BOOSTER REEL WITH CAPACITY FOR 150' OF 1.00" BOOSTER HOSE AND 1.50" PIPING (MODEL: 58E30-19-20-8 LOCATED PER ORDER
- PLUMBING FOR FUTURE FOAM SYSTEM

CUSTOMER APPROVAL			
APPROVED BY:			
DATE:			
REV	DATE	BY	CH
17APR26	MMF	AST	PIERCE
17OCT25	MMF	AST	MODEL
			ENFORCER

**Pierce MANUFACTURING INC.**

TITLE: 1500-D-750P, 189" PUC RESCUE  
(3) CROSSLAYS, HUGKY 3, LADDERS THRU BODY

FOR: Oklahoma City Fire Department  
Oklahoma City, Oklahoma

DWG NO. 45140AD

JOB NO.	45140
SCALE	1:24
DATE	
DRAWN BY	MMF
CHECKED BY	AST
SHEET SIZE	D
SHEET NO.	1 OF 1