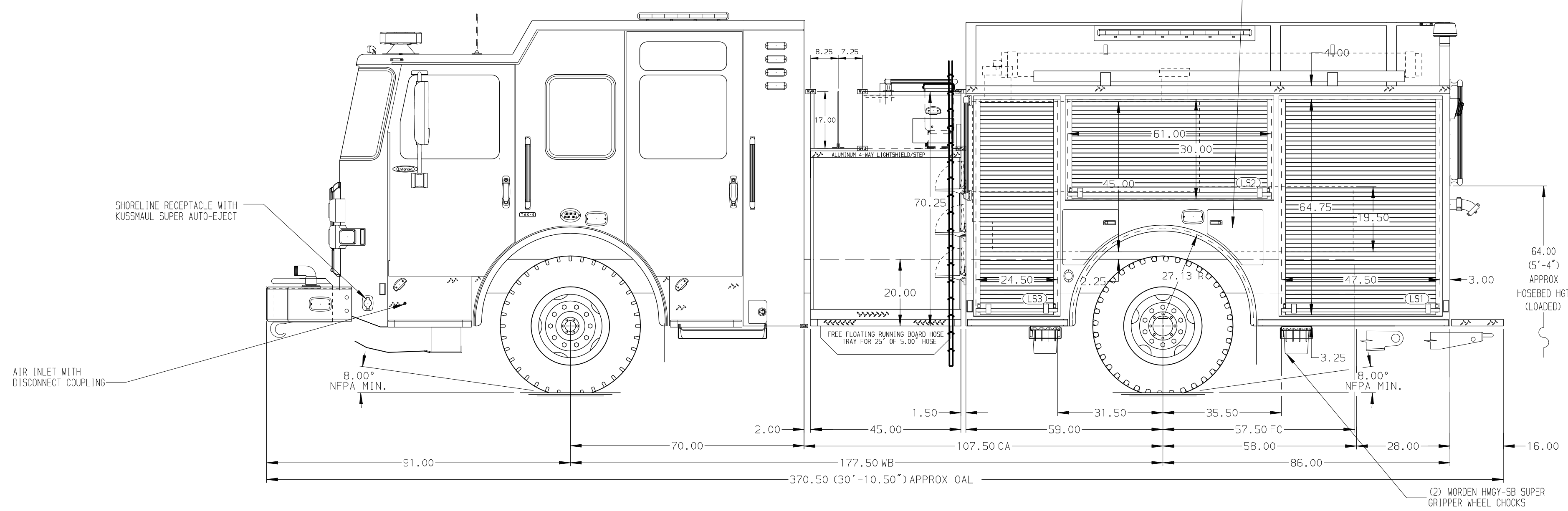
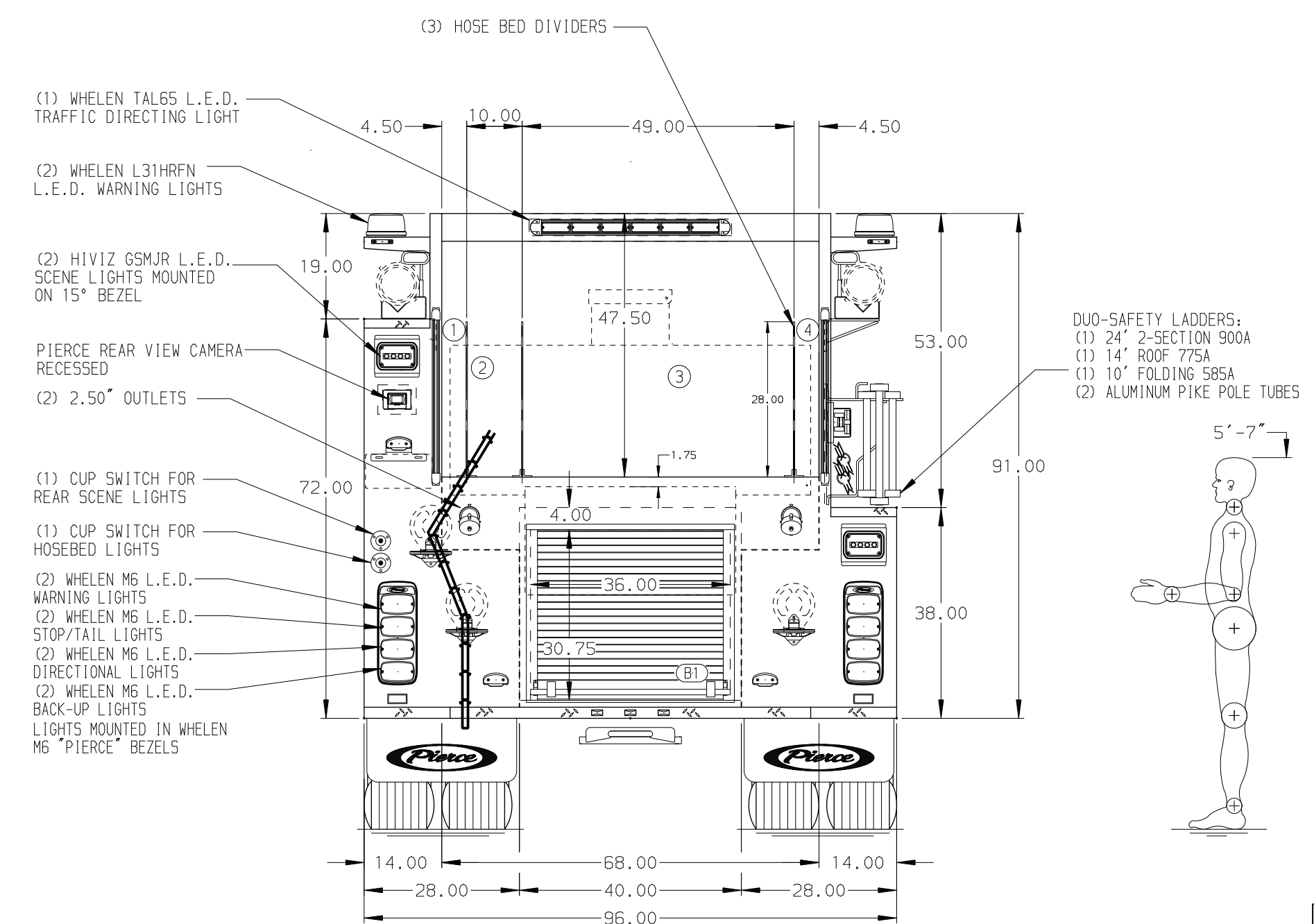
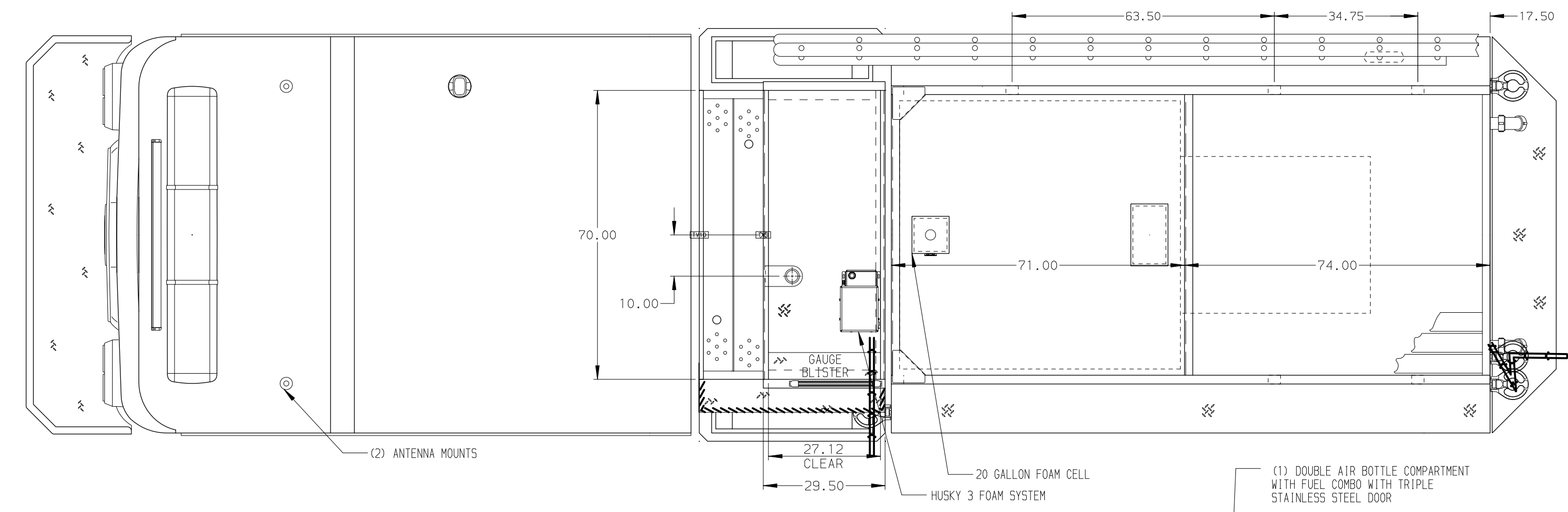


- HOSEBED CAPACITIES**
- ① - 200' OF 1.75" D.J. POLY HOSE
 - ② - 400' OF 2.50" D.J. POLY HOSE
 - ③ - 1000' OF 5.00" D.J. POLY HOSE
 - ④ - 200' OF 1.75" D.J. POLY HOSE



ALUMINUM BODY

SIDE ROLL AND FRONTAL IMPACT PROTECTION

NFPA 1900
(2024)
COMPLIANT

NOTE
DIMENSIONS SHOWN ARE APPROXIMATE AND ARE SUBJECT TO MINOR DEVIATIONS AS MAY OCCUR OR BE NECESSARY IN CONSTRUCTION. MINOR DETAILS NOT SHOWN.

- 1. PACCAR DEF TANK MOUNTED UNDER CAB ON THE DRIVER'S SIDE
- 2. DUAL L.E.D. LIGHT STRIPS LOCATED IN HOSE BED
- 3. BATTERY CHARGER LOCATED BEHIND DRIVER'S SEAT
- 4. BATTERY CHARGE INDICATOR LOCATED DRIVER SIDE SEAT RISER

CUSTOMER APPROVAL			
APPROVED BY: _____			
DATE: _____			
10APR26	MMF	AST	PIERCE
12JAN26	MMF	AST	MODEL
REV	DATE	BY	CH

MANUFACTURING INC.		JOB NO.	45199
		SCALE	DATE
TITLE 1500 GPM, 770G TANK, 750G WATER, 20G FOAM 145" 2G PUMPER, MUX FOR PIERCE FIELD UNIT APPLETON, WISCONSIN	DRAWN BY	MMF	07NOV25
	CHECKED BY	JKR	7NOV25
DWG NO.	45199AD		SHEET NO.
			1 OF 1