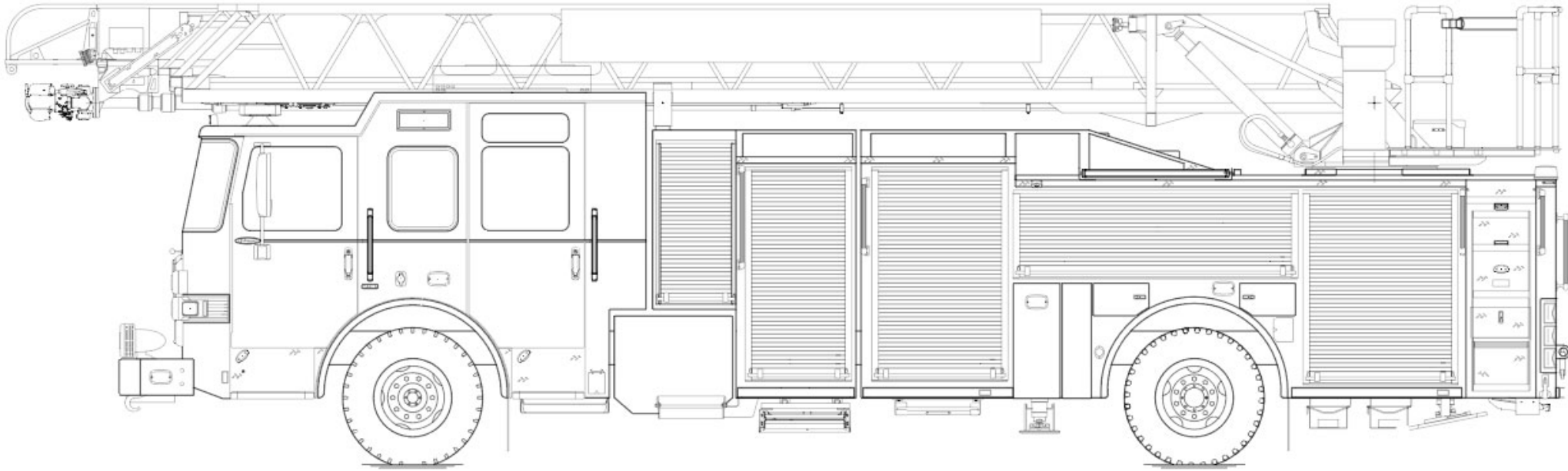




PERFORM. LIKE NO OTHER.™

Augusta Fire Department, GA

Enforcer™ Ascendant® 107' Heavy-Duty Ladder PUC™ – Single Rear Axle



CHASSIS

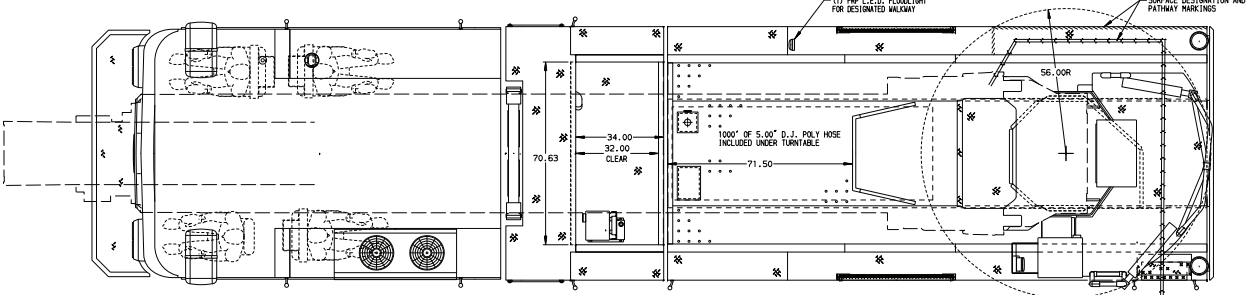
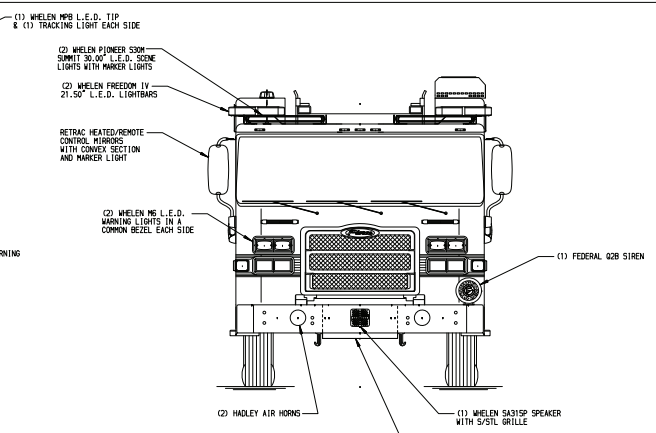
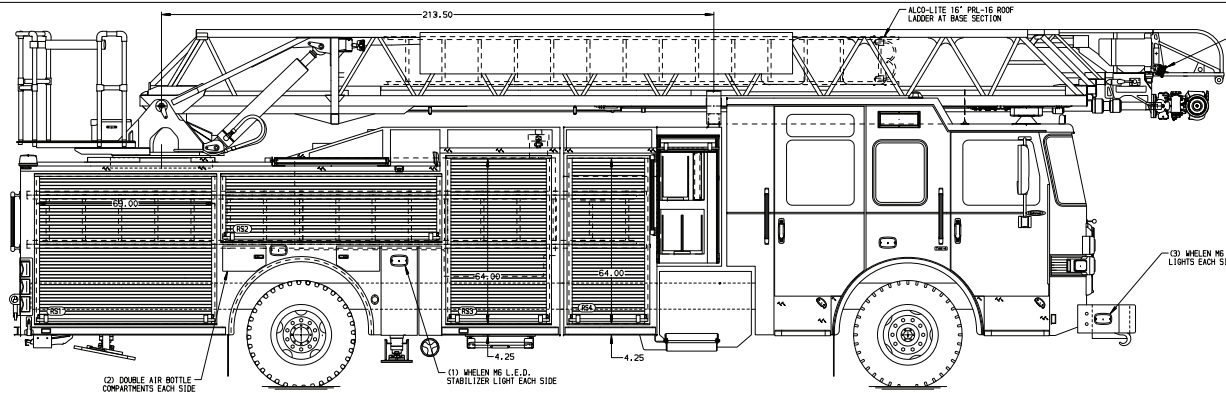
Chassis	70" Enforcer cab w/ 10" raised roof w/ notch
Seating Capacity	4
Overall Height	11' 11"
Overall Length	39' 1.5"
GVW Rating	57,500 lb
Safety	Side Roll & Frontal Impact Protection
Front Axle	TAK-4® Independent Front Suspension , 24,000 lb
Rear Axle	Meritor RS30-185, 33,500 lb
Engine	PACCAR MX-13 , 510 hp, 1850 lb-ft
Electrical System	Pierce® Command Zone™ Advanced Electrical System Pierce® ClearSky Intelligence™ Connected Solutions

BODY

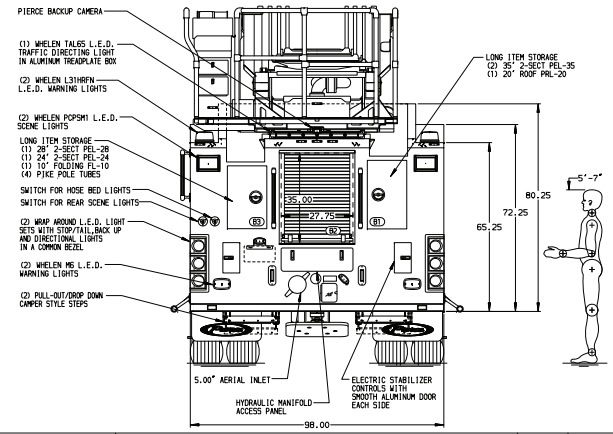
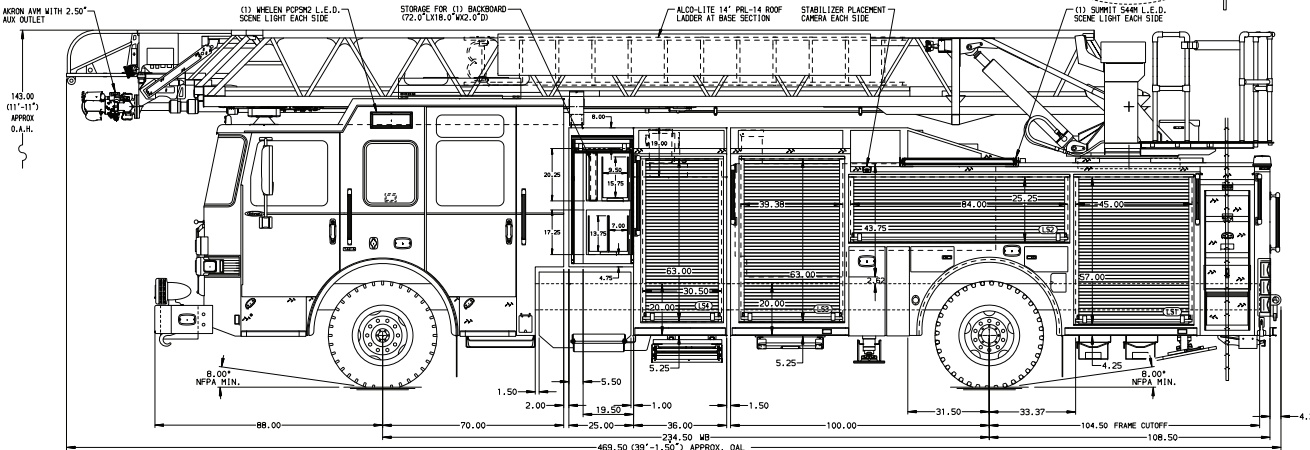
Material	Aluminum
Compartmentation	186.27 cu. ft.
Doors	Rollup
Pump Tank	Pierce PUC™ , 2,000 gpm
Pump Panel	Pierce® Control Zone™ 31" enclosed pump panel w/ three crosslays
Foam	Provisions for future foam system
Foam Cell	20 gallons

AERIAL DEVICE

Device	Ascendant 107' Heavy-Duty Aerial Ladder
Reach	107' vertical 100' horizontal
Tip Load	750 lb dry 500 lb wet
Equipment Stabilizers	100 lb allowance 1 set, 18' spread, 1 down-jack



BODY 107\"/>	TOTAL TANK CAPACITY 500 Gallon Poly Tank WATER CAPACITY 480 Gallons of Water FOAM CELL CAPACITY 20 Gallon Foam Cell FOAM SYSTEM Plumbing For Future Husky Foam System
------------------------	--



CHASSIS Enforcer Chassis	CAB 7010 Enforcer Notched Cab	AXLE, FRONT, CUSTON 24,000 lb TAK-4 Axle	TRANSMISSION Allison 6th Gen, 4000 EVS P	PUMPHOUSE Control Zone, PAL/PAP PUC	CROSSLAYS, 1.50" (2) 1.50", Poly Trays, 200"	SPEEDLAYS Speedlays Not Required	SAFETY Side Roll and Frontal Impact Protection
ENGINE 510 HP Paccor MX13 Engine	BUMPER 19" Extended Painted Steel	AXLE, REAR 33,500 lb Meritor Axle		PUMP 2000 GPM Pierce PUC	CROSSLAYS, 2.50" (1) 2.50", Poly Tray, 200"	GENERATOR Generator Not Required	

NOTE DIMENSIONS SHOWN ARE APPROXIMATE AND ARE SUBJECT TO MINOR DEVIATIONS AS MAY OCCUR OR BE NECESSARY IN CONSTRUCTION. MINOR DETAILS NOT SHOWN.	1. NO LIMITED RETRACTION REQUIRED 2. ONE 1.50\"/>	11. LIFTING EYE ROPE RESCUE ATTACHMENT AT AERIAL TIP 12. 1500 GPM HIGH FLOW WATERWAY 13. NON-RATED AERIAL PEDESTAL
---	--	--

CUSTOMER APPROVAL
APPROVED BY: _____
DATE: _____
REV: _____
DATE: _____
BY: _____
CH: _____
ENFORCER: _____

Pierce MANUFACTURING INC.

JOB NO. 44870

SCALE 1:24

DATE

TITLE 107\"/>

FOR PIERCE FIELD UNIT
APPLETON, WI

DRWN BY LWE 11SEP25
CHECKED BY AST 12SEP25
SHEET NO. D SHEET NO. 1 OF 1

DWG NO. 44870AD