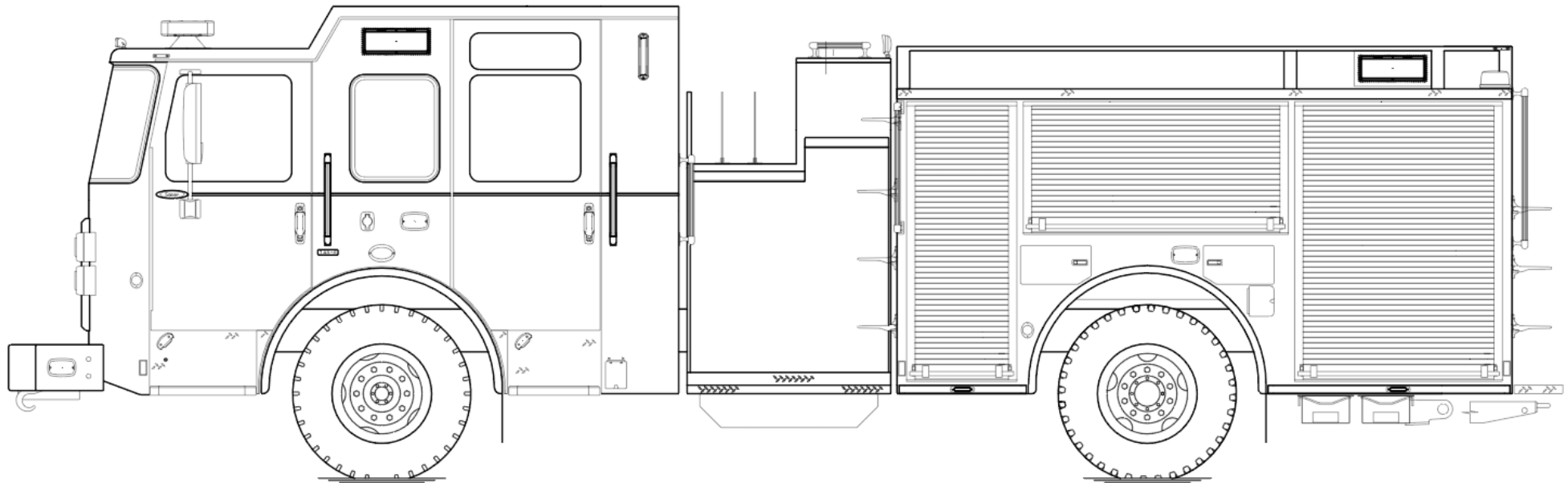




# Saber® Pumper

PERFORM. LIKE NO OTHER.™



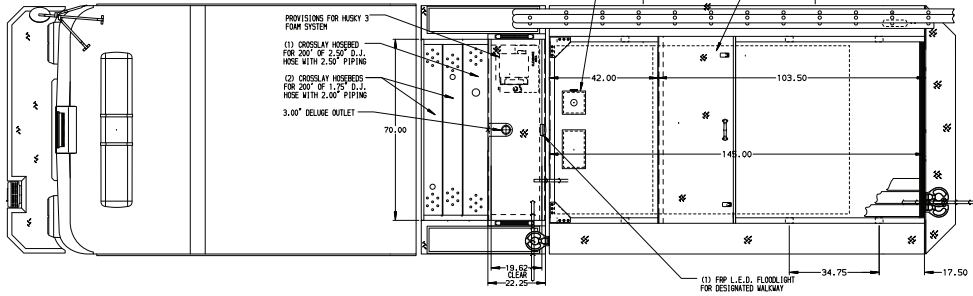
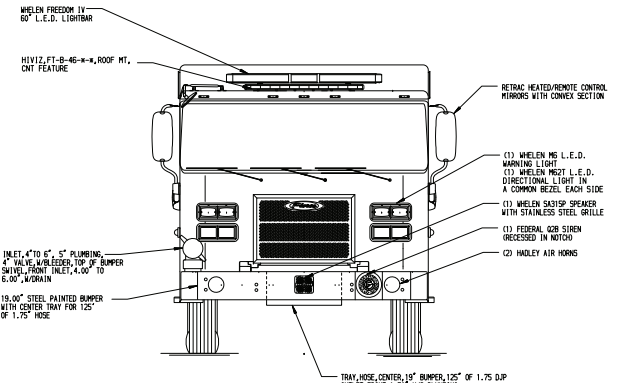
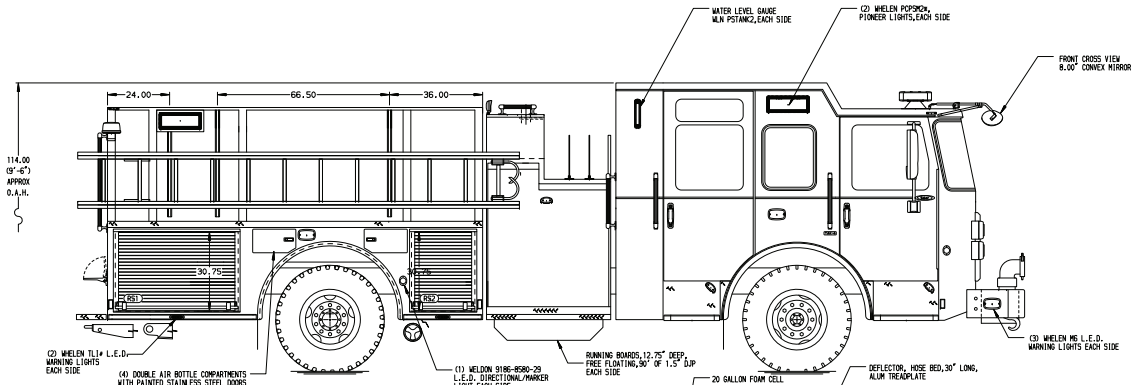
## CHASSIS

<b>Chassis</b>	70" <b>Saber</b> cab w/ 10" raised roof
<b>Seating Capacity</b>	6
<b>Overall Height</b>	9' 6"
<b>Overall Length</b>	30' 6.5"
<b>GVW Rating</b>	43,500 lb
<b>Safety</b>	<b>Side Roll &amp; Frontal Impact Protection</b>
<b>Front Axle</b>	<b>TAK-4® Independent Front Suspension</b> , 19,500 lb
<b>Rear Axle</b>	Dana S23-190, 24,000 lb
<b>Engine</b>	<b>PACCAR MX-13</b> , 510 hp, 1850 lb-ft

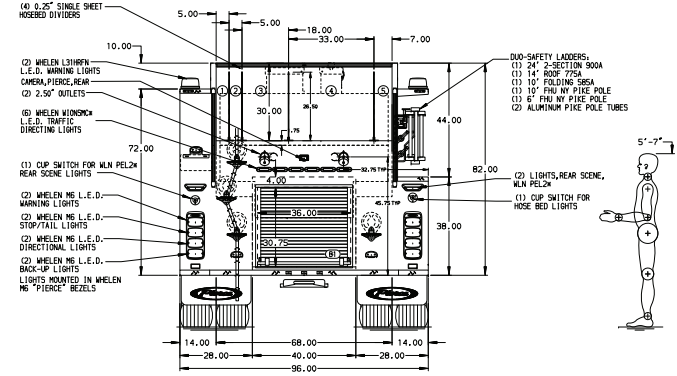
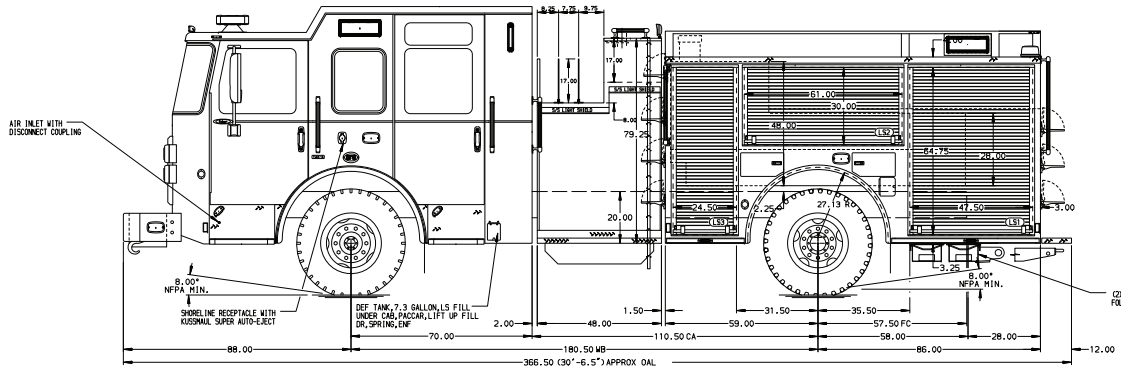
## BODY

<b>Material</b>	Aluminum
<b>Compartmentation</b>	145" full height
<b>Doors</b>	Rollup
<b>Pump Tank</b>	Waterous, 1,500 gpm 750 gallons w/ low hosebed, approximately 75" from the ground
<b>Pump Panel</b>	<b>Pierce® Control Zone™</b> , 48" w/ three crosslays
<b>Foam</b>	Provisions for future foam system
<b>Foam Cell</b>	20 gallons

HEIGHT WILL BE CONFIRMED  
WHEN A WEIGHT REVIEW HAS  
BEEN COMPLETED



- HOSEBEND CAPACITIES**
- ① 250' OF 2.50" D.I.J. HOSE
  - ② 250' OF 2.50" D.I.J. HOSE
  - ③ 800' OF 3.00" D.I.J. HOSE
  - ④ 1200' OF 4.00" D.I.J. HOSE
  - ⑤ 400' OF 1.75" D.I.J. HOSE



ALUMINUM BODY

SIDE ROLL AND FRONTAL IMPACT PROTECTION

**NOTE**  
DIMENSIONS SHOWN ARE APPROXIMATE  
AND ARE SUBJECT TO MINOR DEVIATIONS  
AS MAY OCCUR OR BE NECESSARY IN  
CONSTRUCTION.  
MINOR DETAILS NOT SHOWN.

210CT25	VHO	JAP	
REV	DATE	BY	CH

CHASSIS DATA	TITLE	1500GPM, 770G TANK, 750G WATER, 20G FOAM	JOB NO.	44897
	MAKE	PIERCE	SCALE	1:24
MODEL	FOR	PIERCE FIELD UNIT	DATE	24JUL25
	DWG NO.	44897AD	CHECKED BY	JAP
			DRAWN BY	ADP
			DATE	24JUL25
			SHEET NO.	1 OF 1