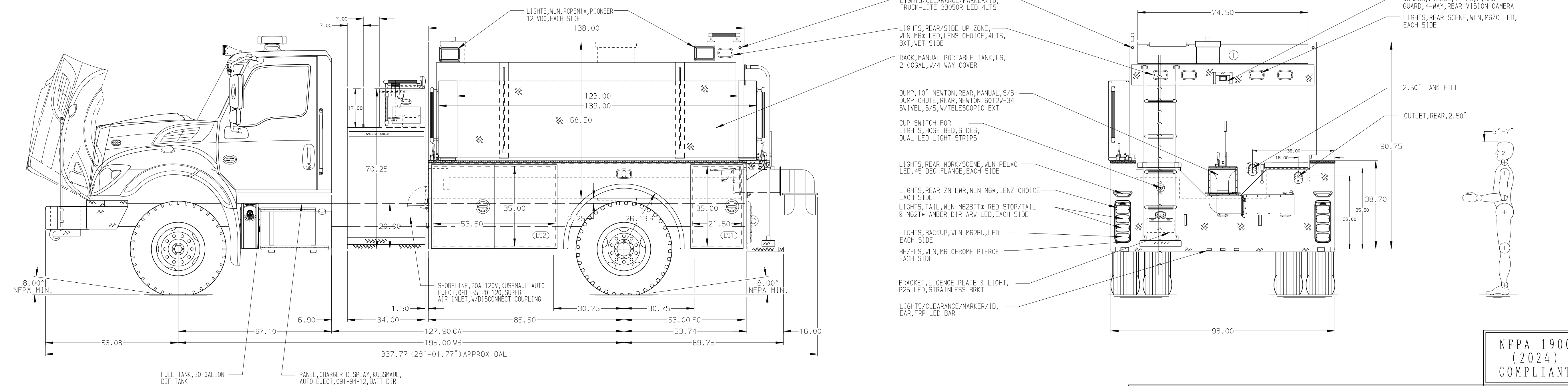


HOSEBED CAPACITY
BED 1
① 200' OF 2.50" DJP



ALUMINUM BODY

NOTE
DIMENSIONS SHOWN ARE APPROXIMATE AND ARE SUBJECT TO MINOR DEVIATIONS AS MAY OCCUR OR BE NECESSARY IN CONSTRUCTION. MINOR DETAILS NOT SHOWN.

230CT25	TYB	JAP	
25APR25	ADP	AJA	
REV	DATE	BY	CH

		JOB NO.	43277
		SCALE	1:24
CHASSIS DATA TITLE MAKE FOR	1250GPM, 2100G TANK, 2075G WATER, 25G FOAM 138" WET SIDE TANKER, MUX PIERCE FIELD UNIT		
	DRAWN BY	ADP	09APR25
MODEL DWG NO.	HV607 43277AD		
	CHECKED BY	RWI	10APR25
SHEET SIZE	D	SHEET NO.	1 OF 1