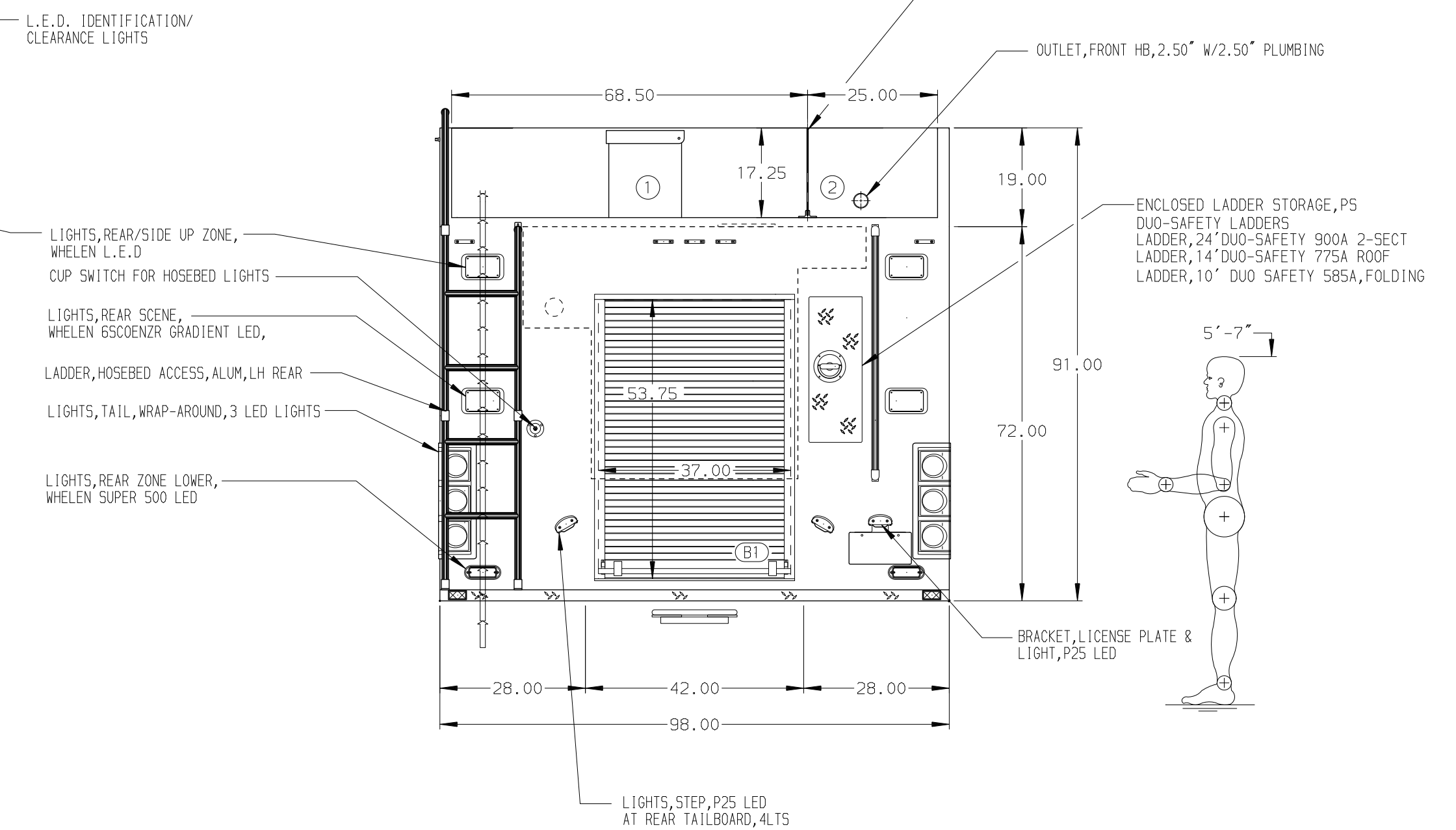
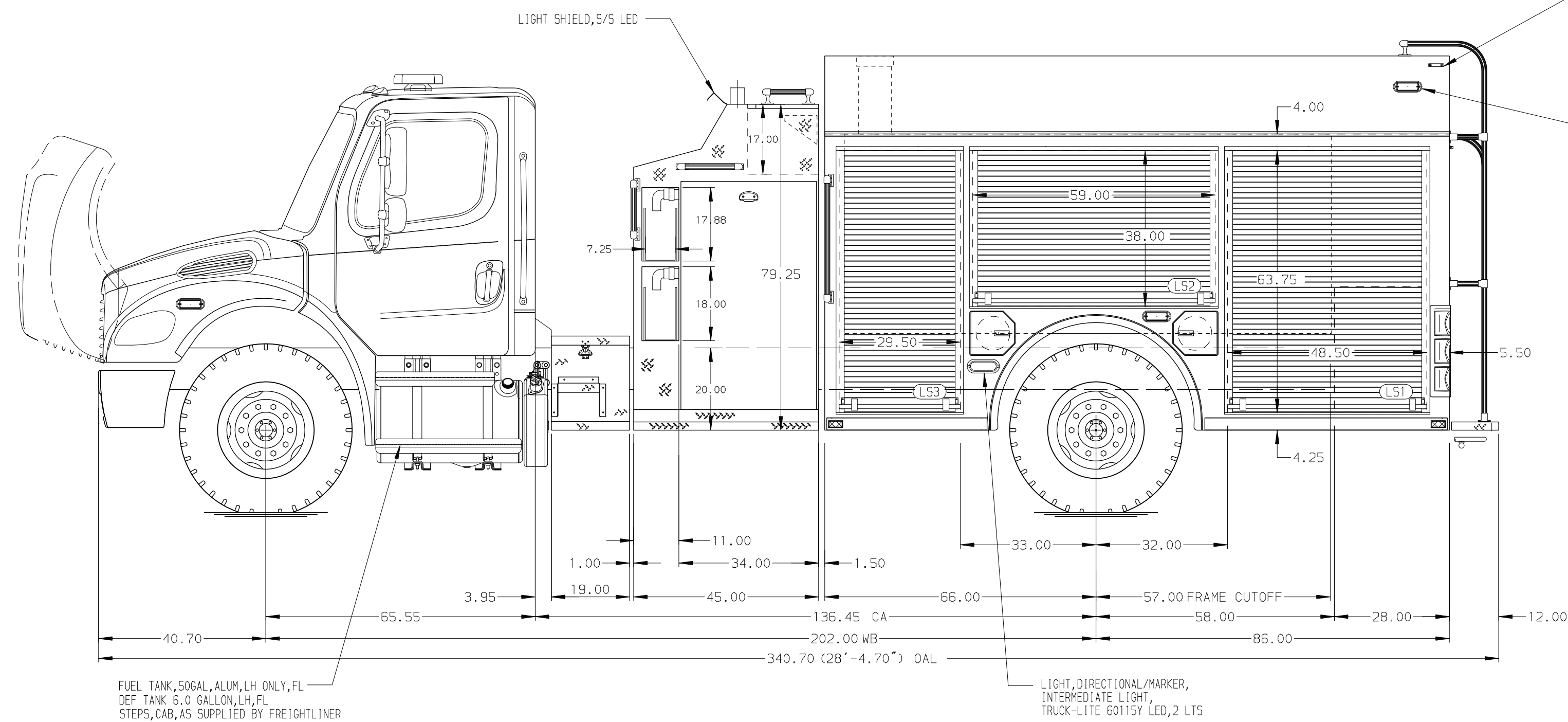


- HOSEBED CAPACITIES
- ① 1500' OF 2.50" D.J. POLYESTER HOSE
 - ② 400' OF 1.50" D.J. POLYESTER HOSE
- (1) 0.25" SINGLE SHEET HOSEBED DIVIDER



ALUMINUM BODY

NOTE
DIMENSIONS SHOWN ARE APPROXIMATE AND ARE SUBJECT TO MINOR DEVIATIONS AS MAY OCCUR OR BE NECESSARY IN CONSTRUCTION. MINOR DETAILS NOT SHOWN.

1. C/F WHEEL CHOCKS AND MOUNTING BRACKETS
2. EXHAUST SYSTEM, HORIZONTAL, RH STEP MOUNTED DPF/SCR, 2013 FL
3. PERIMETER SCENE LIGHTS LOCATED PER SHOP ORDER
4. BATTERY CHARGING RECEPTACLE LOCATED ON THE DRIVER SIDE PUMP PANEL
5. AIR INLET LOCATED LOCATED DS PUMP PANEL
6. CONCEPTUAL DRAWING STAGE

REV	DATE	BY	CH	M2-106

<p>Pierce MANUFACTURING INC. BRADENTON, FLORIDA</p>		JOB NO.	SF-1206
		SCALE	DATE
<p>TITLE</p> <p>FOR</p>	1000 GAL WATER, 152" FULL HT FRONT & REAR 3/4" TOP MOUNT PH, (2) SPEEDLAYS & LADDERS THRU BODY	DRAWN BY	JLA 04JUN20
	PIERCE MANUFACTURING INC. BRADENTON, FLORIDA	CHECKED BY	CAG 5JUN20
DWG NO.	SF-1206AD	SHEET SIZE	SHEET NO.
		D	1 OF 1