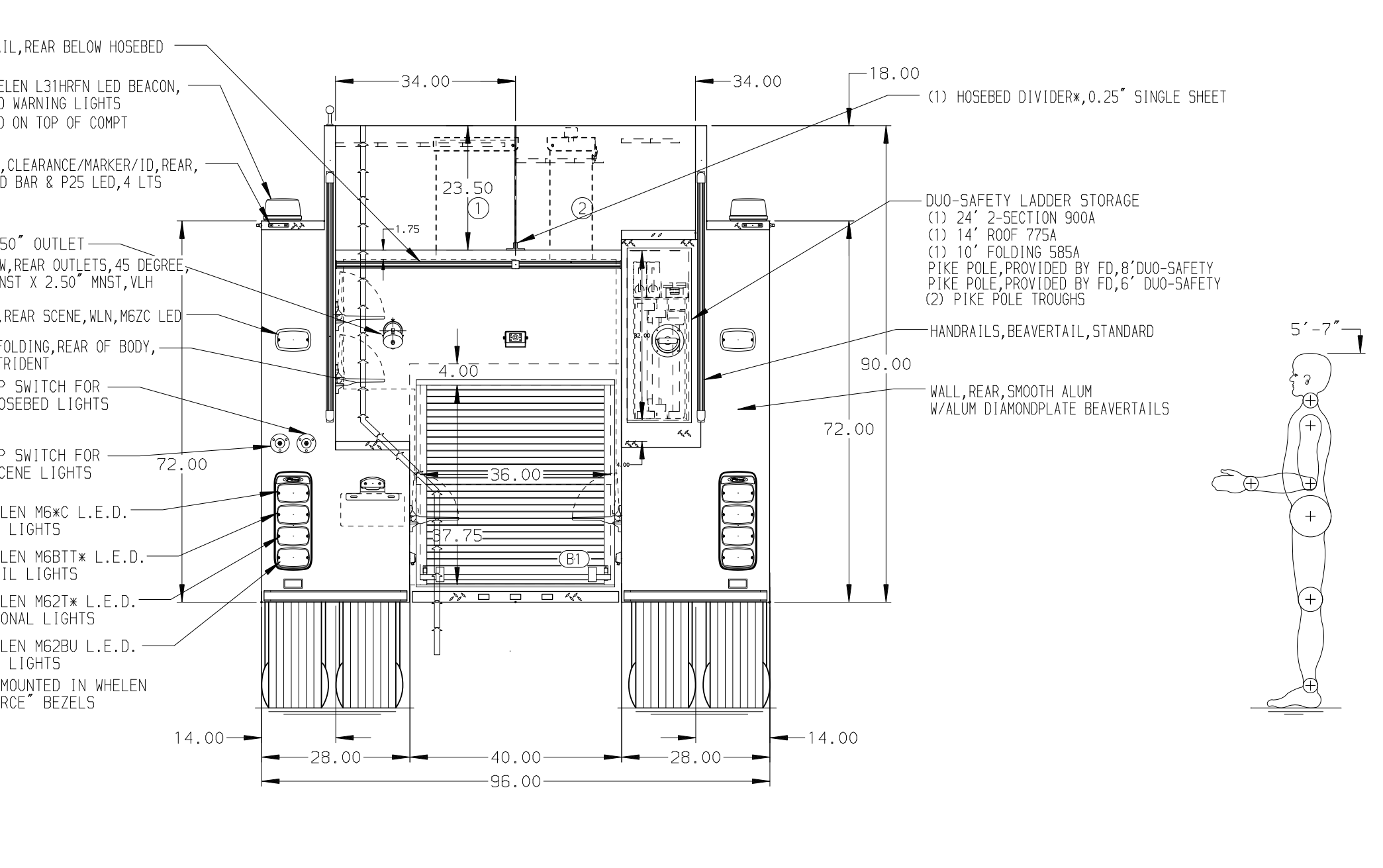
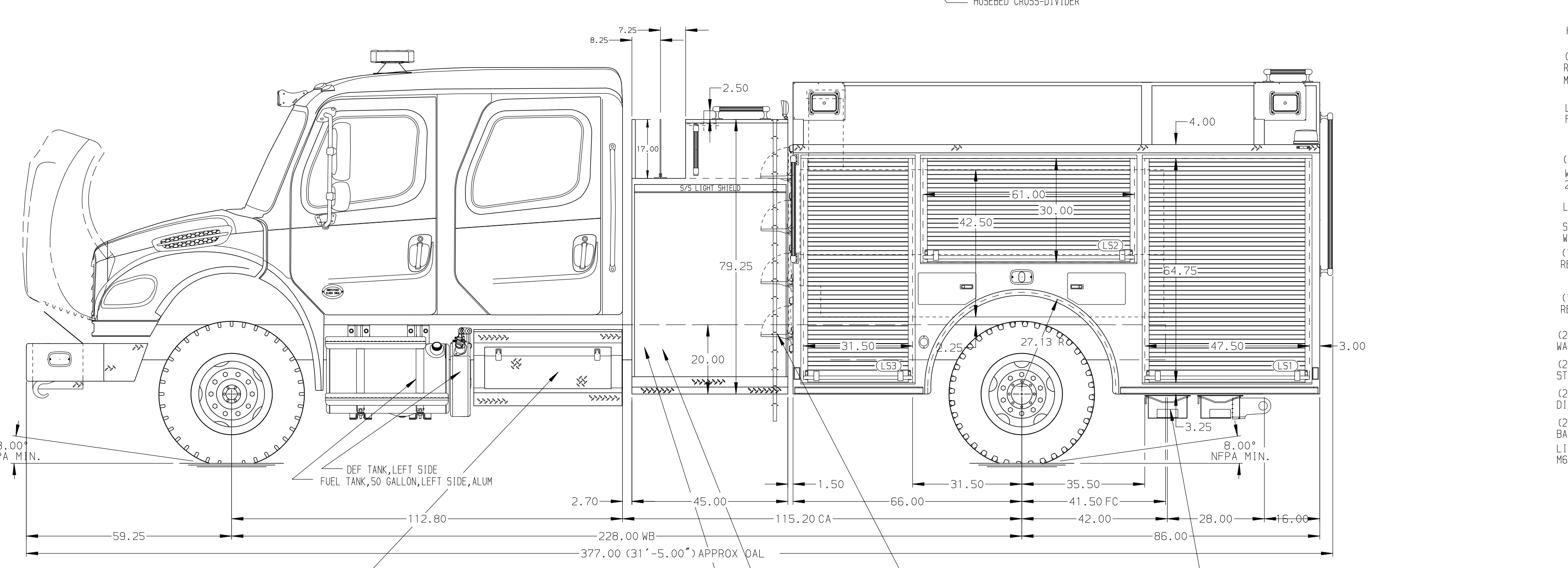


HOSEBED CAPACITY	
BED 1	1000' OF 5.00" D.J. POLY HOSE
BED 2	1000' OF 3.00" D.J. POLY HOSE



ALUMINUM BODY

NOTE
DIMENSIONS SHOWN ARE APPROXIMATE AND ARE SUBJECT TO MINOR DEVIATIONS AS MAY OCCUR OR BE NECESSARY IN CONSTRUCTION. MINOR DETAILS NOT SHOWN.

		JOB NO.	43924
		SCALE	DATE
TITLE 1500-D-750 POLY, 730 WATER, 20 FOAM, 152" 26 PUMPER BODY 45" SIDE CONTROL, (2) 1.5" CROSSLAYS, 3" DELUGE		DRAWN BY	16MAY25
FOR PIERCE STOCK (ORIGINAL)		CHECKED BY	19MAY25
DWG NO. 43924AD		SHEET SIZE	SHEET NO.
		D	1 OF 1

REV	DATE	BY	CH	CHASSIS DATA	TITLE
19JAN26	RHU	JAP	MAKE		
03OCT25	RHU	JAP	FL		
30MAY25	WHO	AJA	MODEL		
			M2-106 PLUS		