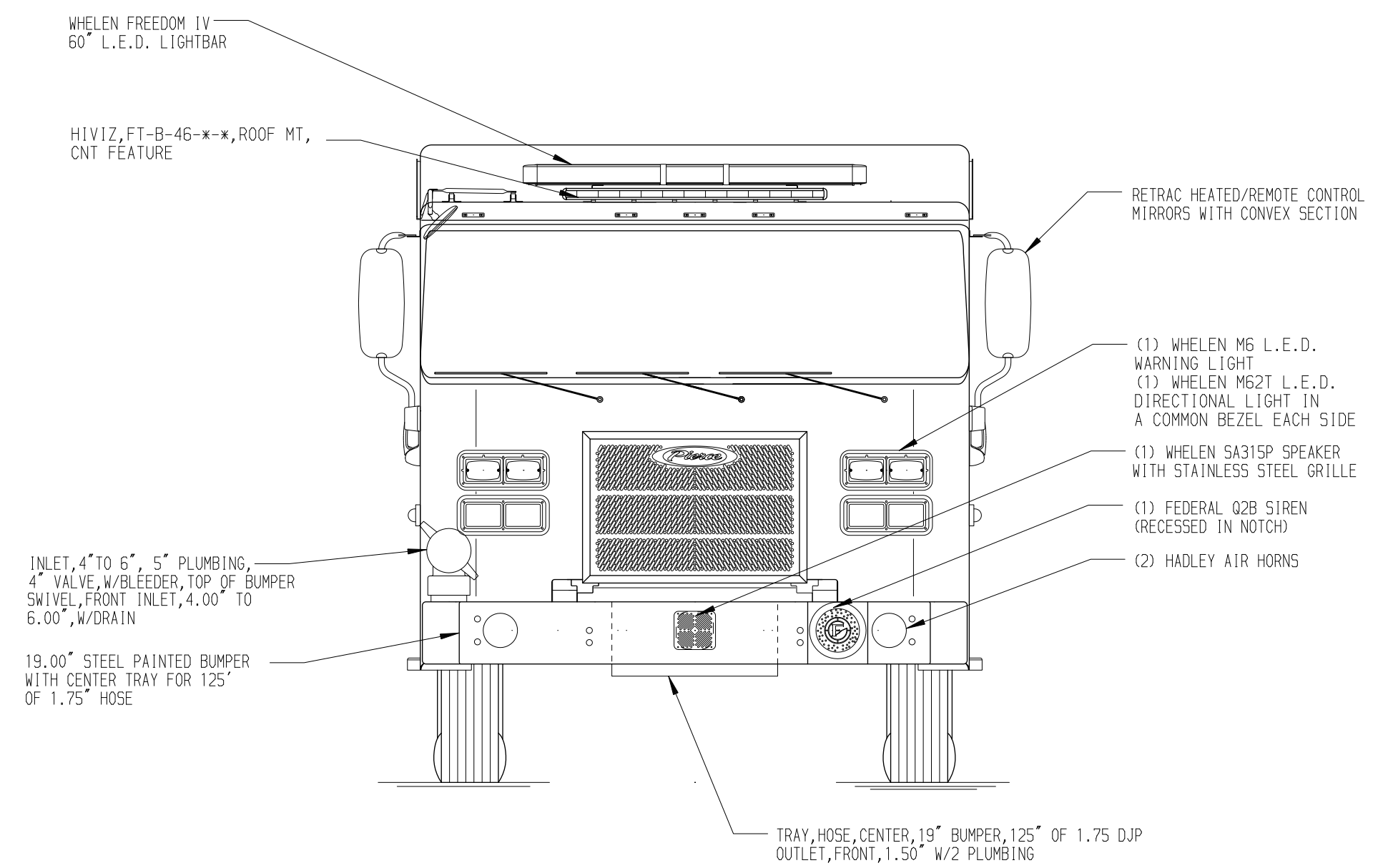
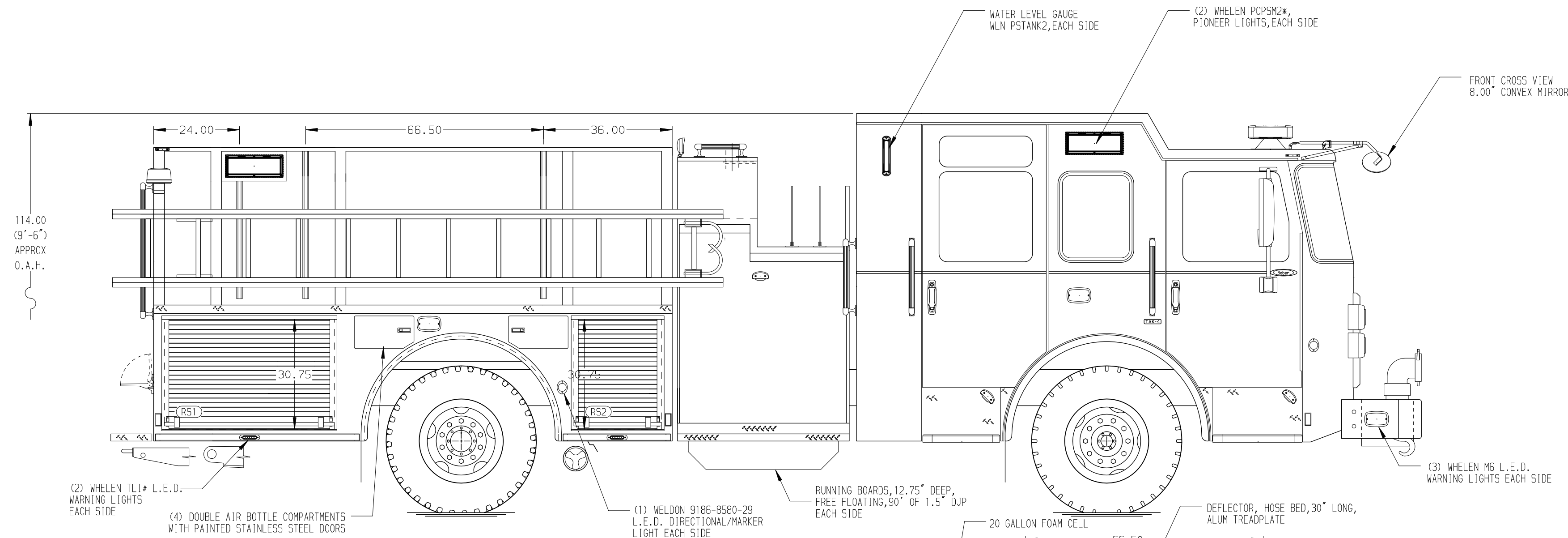
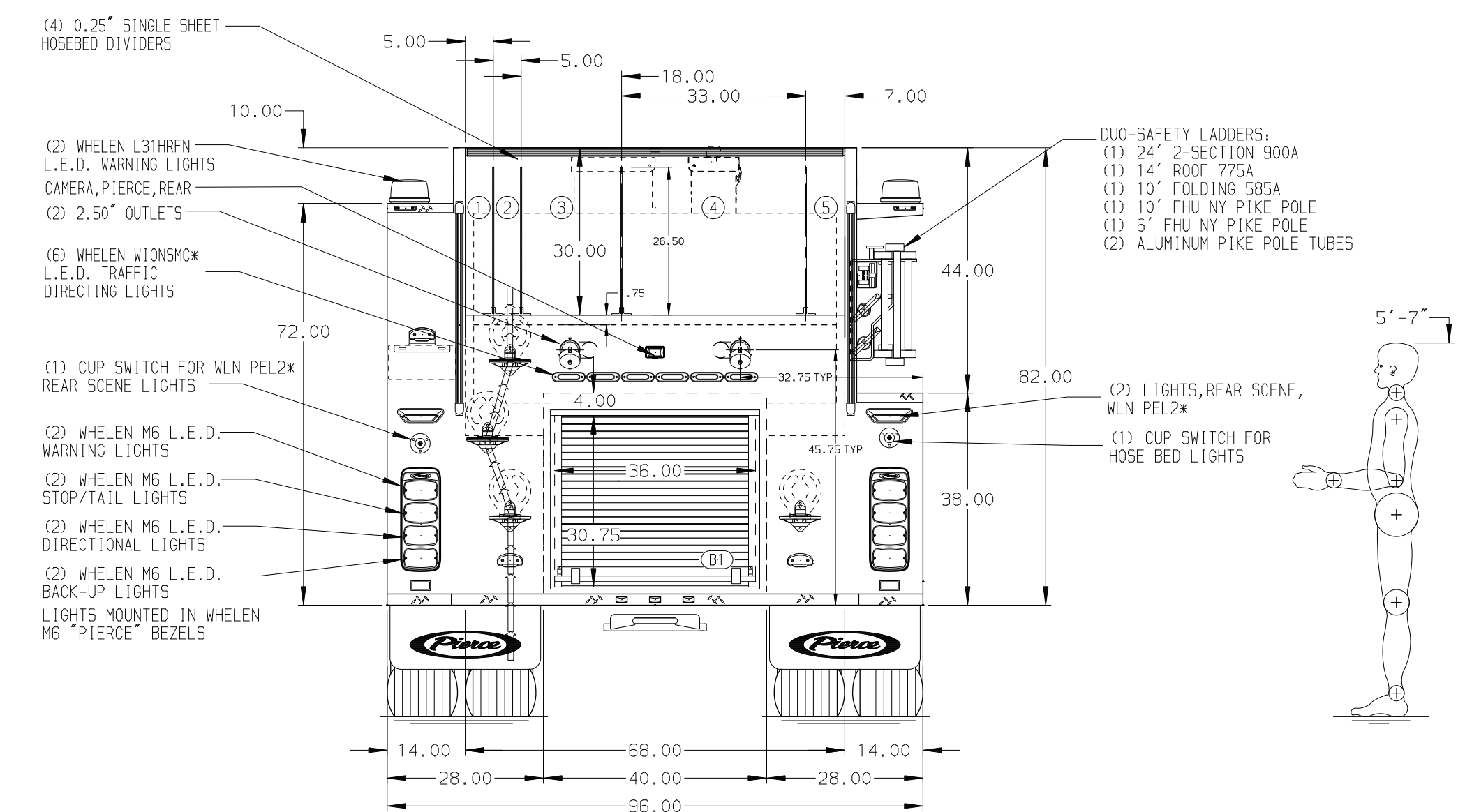
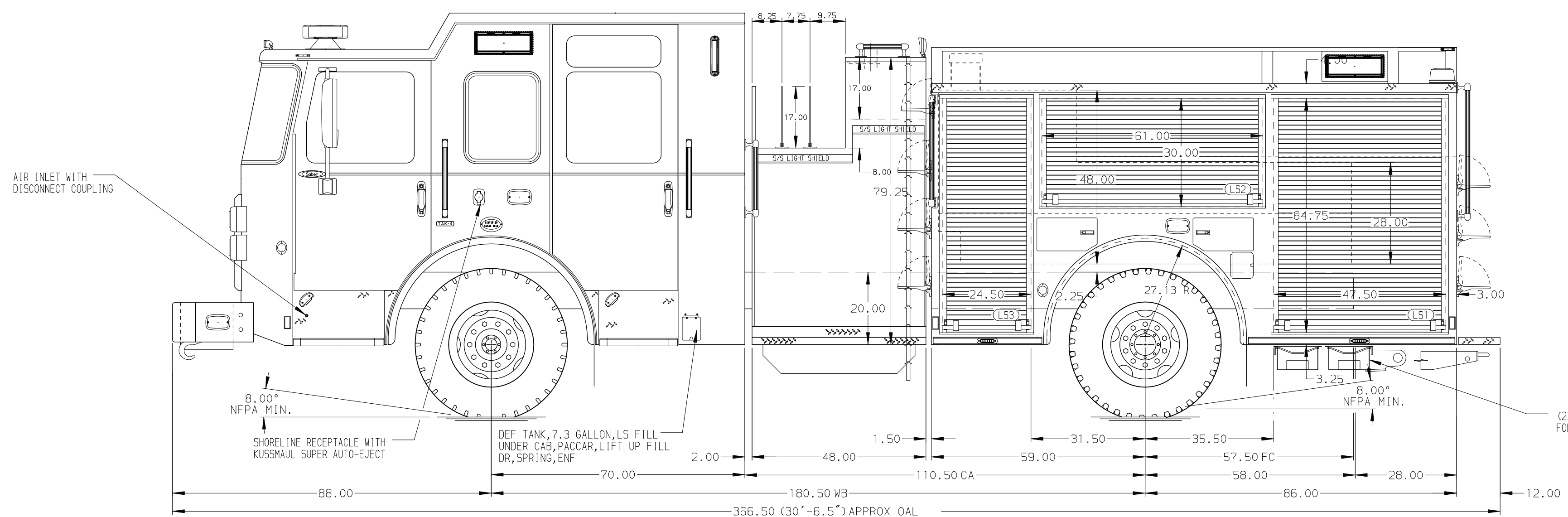
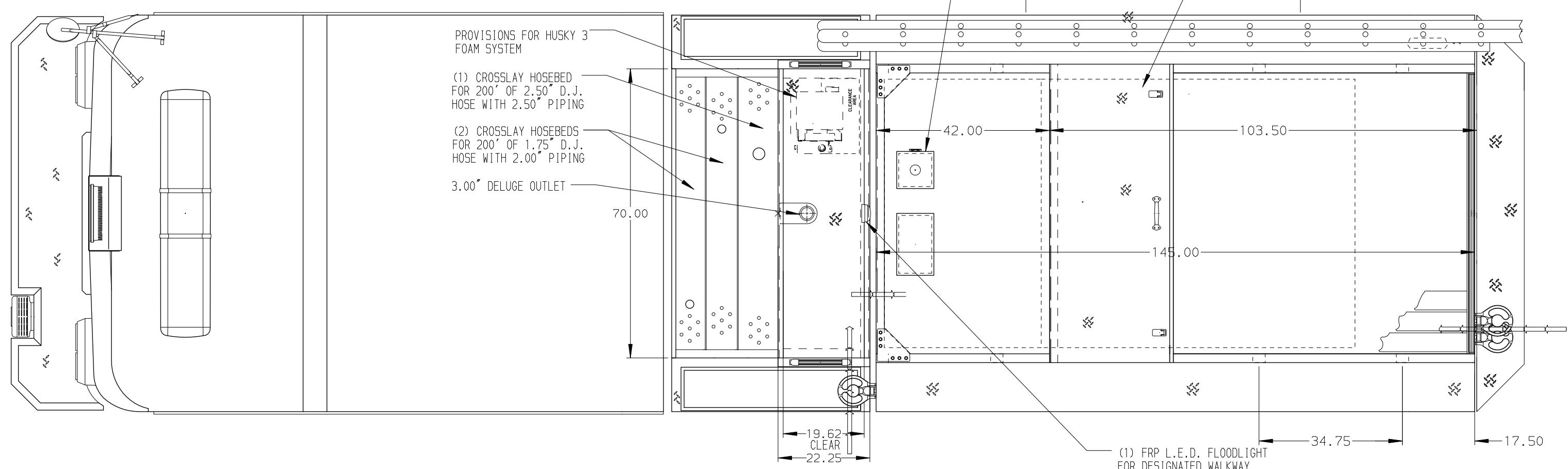


HEIGHT WILL BE CONFIRMED WHEN A WEIGHT REVIEW HAS BEEN COMPLETED



- HOSEBED CAPACITIES
- ① 250' OF 2.50" D.J. HOSE
 - ② 250' OF 2.50" D.J. HOSE
 - ③ 800' OF 3.00" D.J. HOSE
 - ④ 1200' OF 4.00" D.J. HOSE
 - ⑤ 400' OF 1.75" D.J. HOSE



ALUMINUM BODY

SIDE ROLL AND FRONTAL IMPACT PROTECTION

NOTE
DIMENSIONS SHOWN ARE APPROXIMATE AND ARE SUBJECT TO MINOR DEVIATIONS AS MAY OCCUR OR BE NECESSARY IN CONSTRUCTION. MINOR DETAILS NOT SHOWN.

REV	DATE	BY	CH	SABER FR
210CT25	WHO	JAP		

		JOB NO.	44897
PIERCE MANUFACTURING INC.		SCALE	DATE
TITLE 1500GPM, 770G TANK, 750G WATER, 20G FOAM 145" BODY PUMPER 2G, HARDWIRED		DRAWN BY	24JUL25
FOR PIERCE FIELD UNIT		CHECKED BY	24JUL25
DWG NO.		SHEET SIZE	SHEET NO.
44897AD		D	1 OF 1