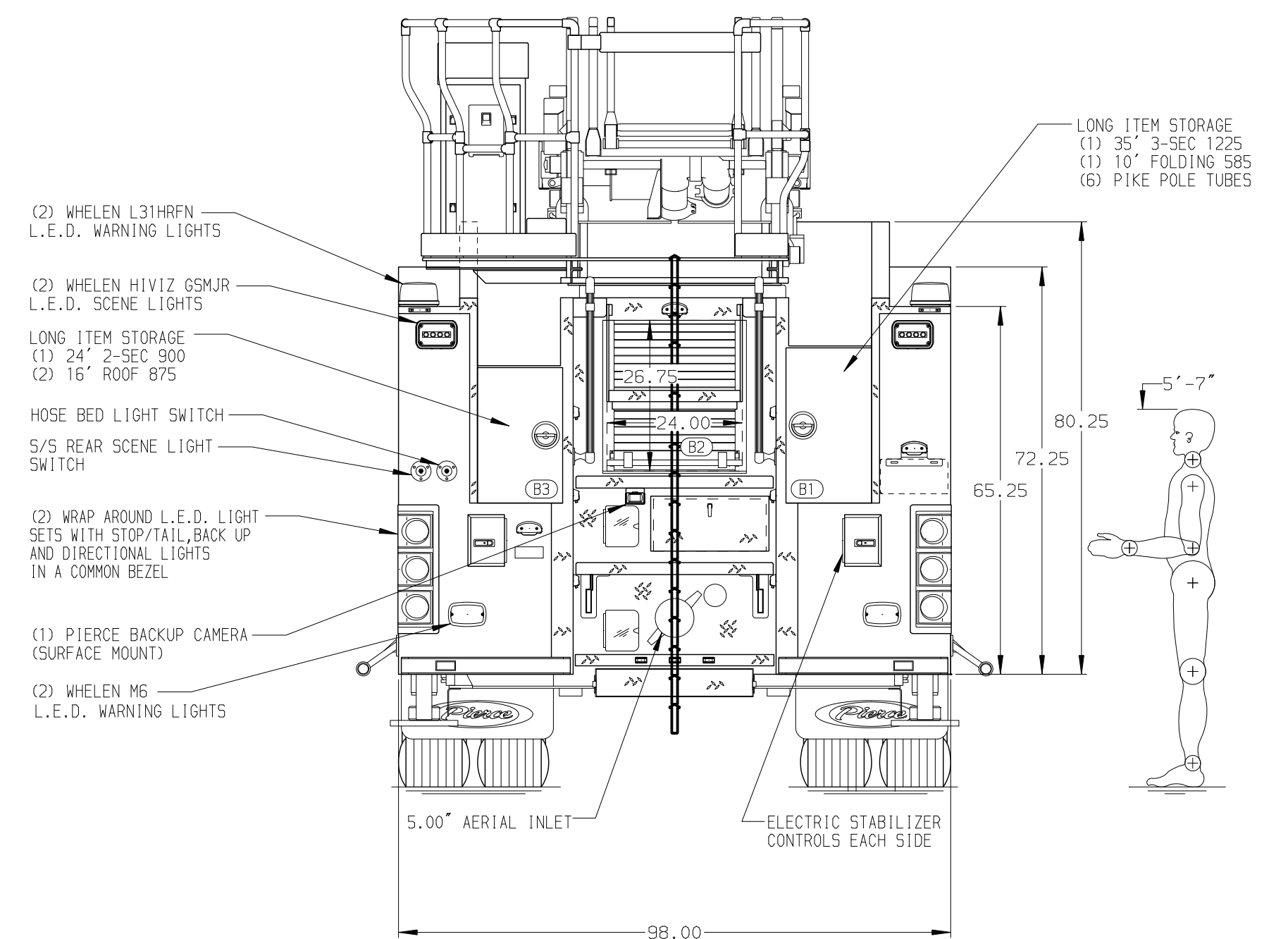
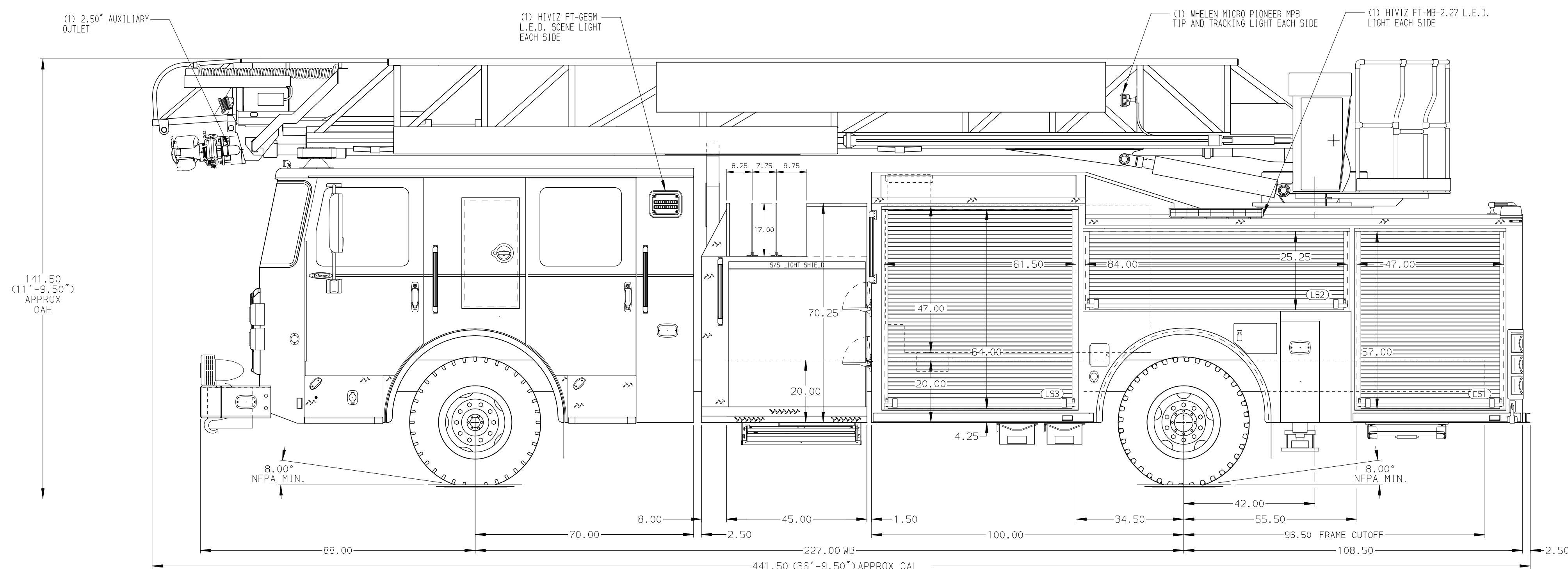
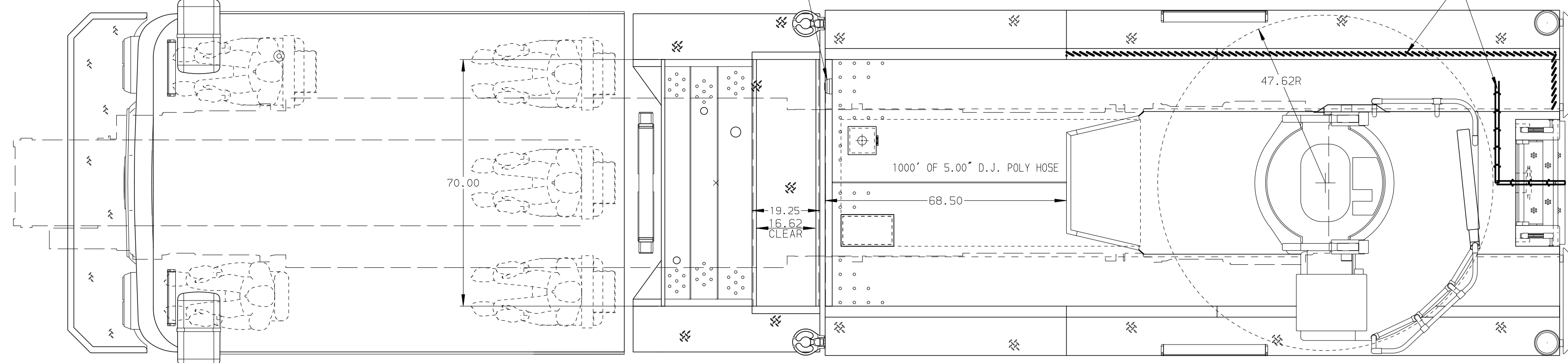


<b>BODY</b> 75' HAL Aluminum Body <b>COMPT, LEFT SIDE FRONT</b> Full Height RollUp Forward <b>COMPT, LEFT SIDE REAR</b> Full Height RollUp Rearward <b>COMPT, RIGHT SIDE FRONT</b> Full Height RollUp Forward <b>COMPT, RIGHT SIDE REAR</b> Full Height RollUp Rearward	<b>WATER TANK</b> 500 Gallon Poly Water Tank <b>Foam System</b> Plumbing for Future Husky Foam System <b>Foam Cell</b> 20 Gallon Foam Cell, Non-Reduced Water
--	--



<b>CHASSIS</b> Enforcer Chassis <b>ENGINE</b> 525 HP Cummins X12 Engine	<b>CAB</b> 7000 Enforcer Cab <b>BUMPER</b> 19" Extended Painted Steel	<b>ELECTRICAL SYSTEM</b> Hard Wired <b>TRANSMISSION</b> Allison 6th Gen, 4000 EVS P	<b>AXLE, FRONT, CUSTOM</b> 20,000 Lb Meritor Axle <b>AXLE, REAR</b> 33,500 Lb Meritor Axle	<b>PUMPHOUSE</b> 45" Control Zone Side Mount <b>PUMP</b> 2000 GPM Waterous CSU	<b>CROSSLAYS, 1.50"</b> (2) 1.50" Standard Capacity <b>CROSSLAYS, 2.50"</b> (1) 2.50" Standard Capacity	<b>SPEEDLAYS</b> Speedlays Not Required <b>GENERATOR</b> Generator Not Required	<b>SAFETY</b> Side Roll and Frontal Impact Protection	<b>CUSTOMER APPROVAL</b> APPROVED BY: _____ DATE: _____		JOB NO. 44966 SCALE 1:24 DATE _____
<b>NOTE</b> DIMENSIONS SHOWN ARE APPROXIMATE AND ARE SUBJECT TO MINOR DEVIATIONS AS MAY OCCUR OR BE NECESSARY IN CONSTRUCTION. MINOR DETAILS NOT SHOWN.	1. ONE 1.50 OUTLET WITH 2.00 PIPING AND SWIVEL LOCATED IN CENTER BUMPER TRAY 2. SHORELINE RECEPTACLE WITH KUSSMAUL SUPER AUTO-EJECT LOCATED ON DRIVER SIDE STEPWELL 3. AIR INLET WITH DISCONNECT COUPLING IN THE DRIVER SIDE STEPWELL 4. BATTERY CHARGER LOCATED BEHIND DRIVER SEAT 5. BATTERY CHARGE INDICATOR LOCATED PER ORDER 6. DUAL L.E.D. LIGHT STRIPS LOCATED IN HOSE BED 7. SIX ADJUSTABLE SHELVES IN COMPARTMENTS PER ORDER 8. FOUR FLOOR MOUNTED SLIDE-OUT TRAYS LOCATED IN COMPARTMENTS PER ORDER 9. 7.00" AERIAL LIMITED RETRACTION 10. DUAL LIGHT STRIPS LOCATED IN COMPARTMENTS PER ORDER	11. 1.50" RAISED AERIAL PEDESTAL 12. 1500 GPM HIGH FLOW WATERWAY 13. LIFTING EYE RESCUE ATTACHMENT AT AERIAL TIP 14. TECNIO 3-SECTION RUNG LIGHTING ON AERIAL LADDER	<b>CHASSIS DATA</b> MAKE PIERCE MODEL ENFORCER	<b>TITLE</b> 75' AERIAL LADDER & BODY ASSEMBLY (HAL)	<b>FOR</b> PIERCE STOCK FIELD UNIT APPLETON, WI	<b>DWG NO.</b> 44966AD	<b>CHECKED BY</b> JLO <b>SHEET NO.</b> 1 OF 1			