

PUMPER BODY

Long Aluminum 2nd Gen Pumper

CHASSIS

Sober FR Chassis

CHASSIS AXLE, FRONT, CUSTOM

DANA, D-2000F, 20,000 LB

AXLE, REAR

27,000 Lb Dana Axle

ENGINE

450 HP Cummins L9 Engine

TRANSMISSION

Allison 6th Gen, 3000 EVS P

BUMPER

19" Extended Steel Pointed

CAB

7010 Sober FR Cab

BODY WATER TANK

1000 Gallon New York Style Water Tank

COMPT, PUMPER, REAR

23.50" FF RollUp Rear Compt

COMPT, PUMPER, LEFT SIDE

171" RollUp Full Height & Depth, Front & Rear Cleaveland Notch 12"

COMPT, PUMPER, RIGHT SIDE

171" RollUp Full Height & Depth, Front & Rear Cleaveland Notch 12"

FIRE SUPPRESSION PUMPHOUSE

45" Control Zone Side Mount

PUMP

1500 GPM Waterous CSU

CROSSLAYS, 1.50"

(2) 1.50" Standard Capacity

CROSSLAYS, 2.50"

2.50" Crosslay Not Required

SPEEDLAYS

Speedlays Not Required

GENERATOR

Generator Not Required

Foam System

PLUMBING FOR FUTURE FOAM SYS, HUSKY 3/12 SINGLE AGENT

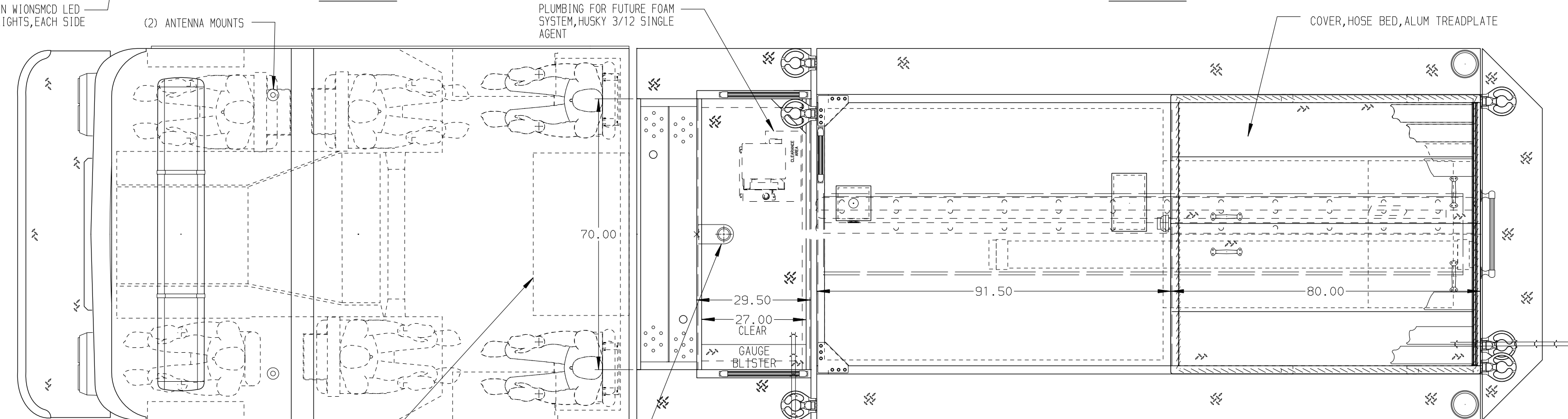
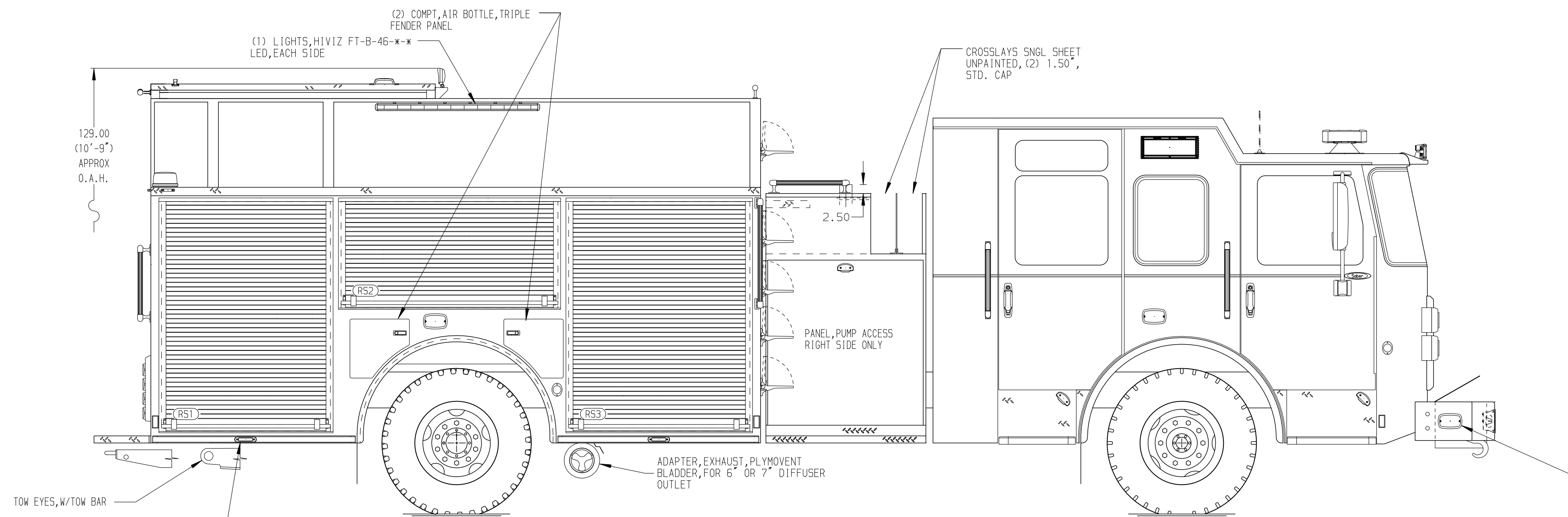
Foam Cell

20 Gallon Foam Cell, Not Reduced Water

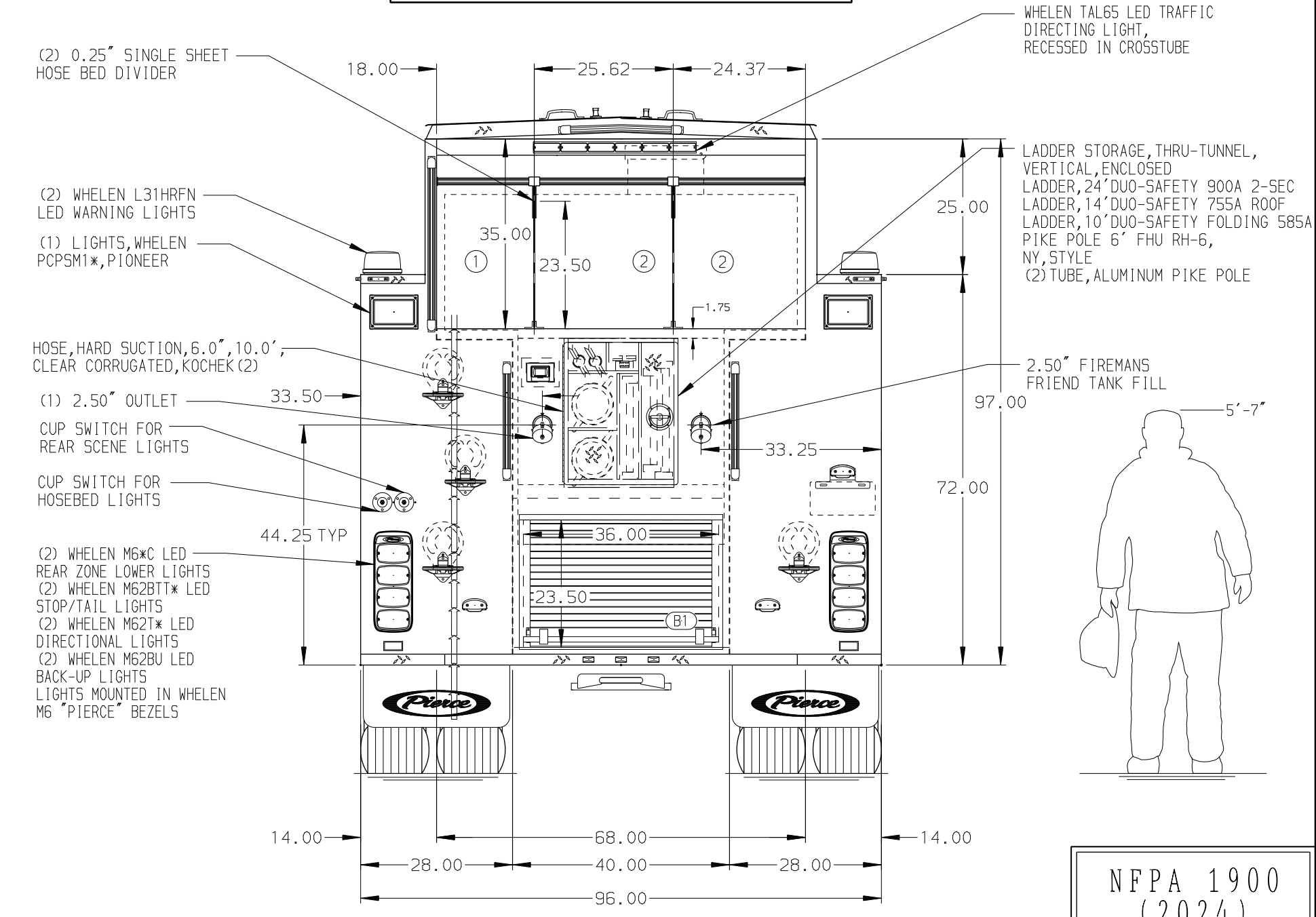
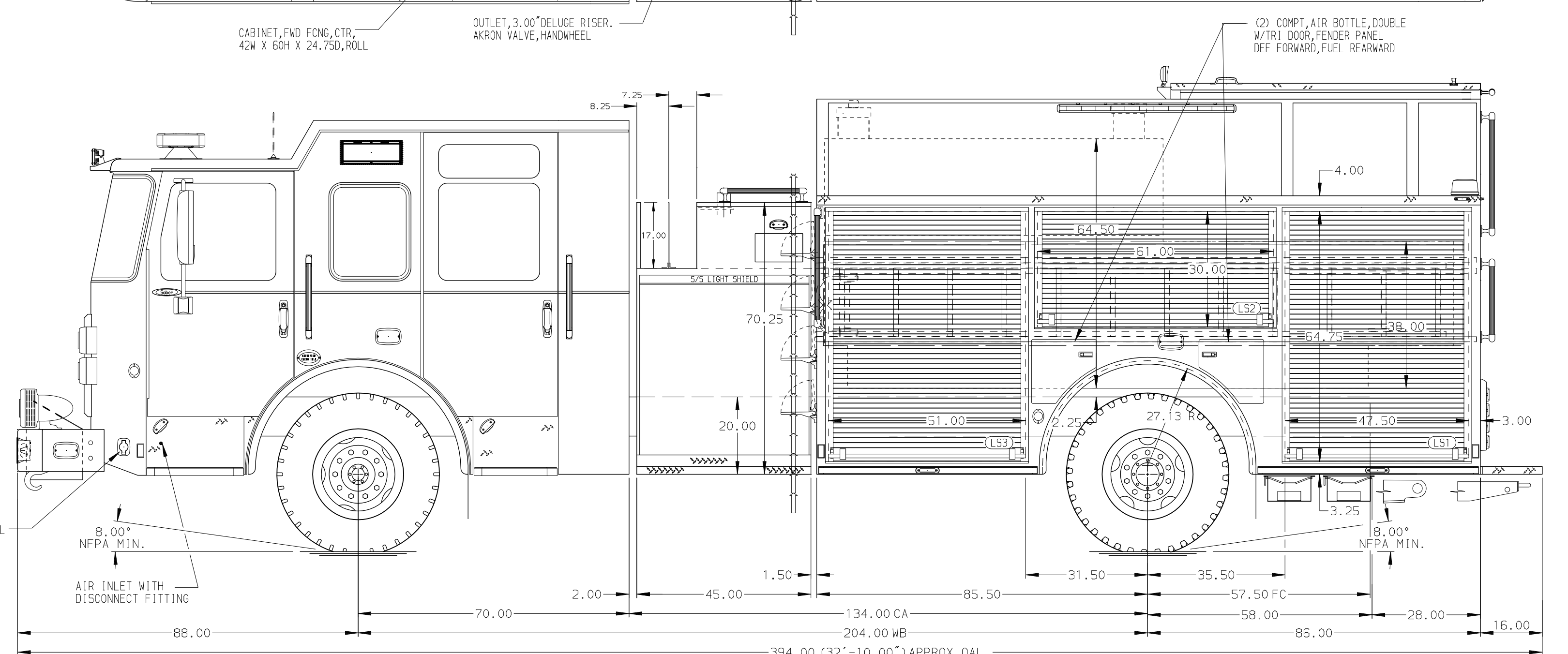
NOTE

DIMENSIONS SHOWN ARE APPROXIMATE AND ARE SUBJECT TO MINOR DEVIATIONS AS MAY OCCUR OR BE NECESSARY IN CONSTRUCTION. MINOR DETAILS NOT SHOWN.

- ONE 1.50" OUTLET WITH 2.00" PIPING AND SWIVEL LOCATED IN CENTER BUMPER TRAY
- SHORELINE RECEPTACLE WITH KUSSMAUL SUPER AUTO-EJECT LOCATED ON DRIVER SIDE OF THE CAB
- AIR INLET WITH DISCONNECT COUPLING IN THE DRIVER SIDE STEPWELL
- BATTERY CHARGER LOCATED IN COMPARTMENT PER SHOP ORDER
- BATTERY CHARGE INDICATOR LOCATED ON THE DRIVER SIDE THROUGH WINDOW
- SIX ADJUSTABLE SHELVES IN COMPARTMENTS PER SHOP ORDER
- PLUMBING FOR FUTURE HUSKY FOAM SYSTEM



HOSEBED CAPACITY	
BED 1	400' OF 3.00" D.J. POLY HOSE
BED 2	500' OF 5.00" D.J. POLY HOSE
BED 3	500' OF 5.00" D.J. POLY HOSE



NFPA 1900 (2024) COMPLIANT

		JOB NO.	45307
		SCALE	DATE
		1:24	
Pierce Pumper Approval Drawing		DRAWN BY	RHU 24MAR26
Pierce Field Unit		CHECKED BY	MAR 25MAR26
DWG NO.		SHEET SIZE	SHEET NO.
45307AD		D	1 OF 1

CHASSIS DATA	TITLE	Pierce Pumper Approval Drawing
MAKE	FOR	Pierce Field Unit
PIERCE		
MODEL	DWG NO.	45307AD
SABER FR		