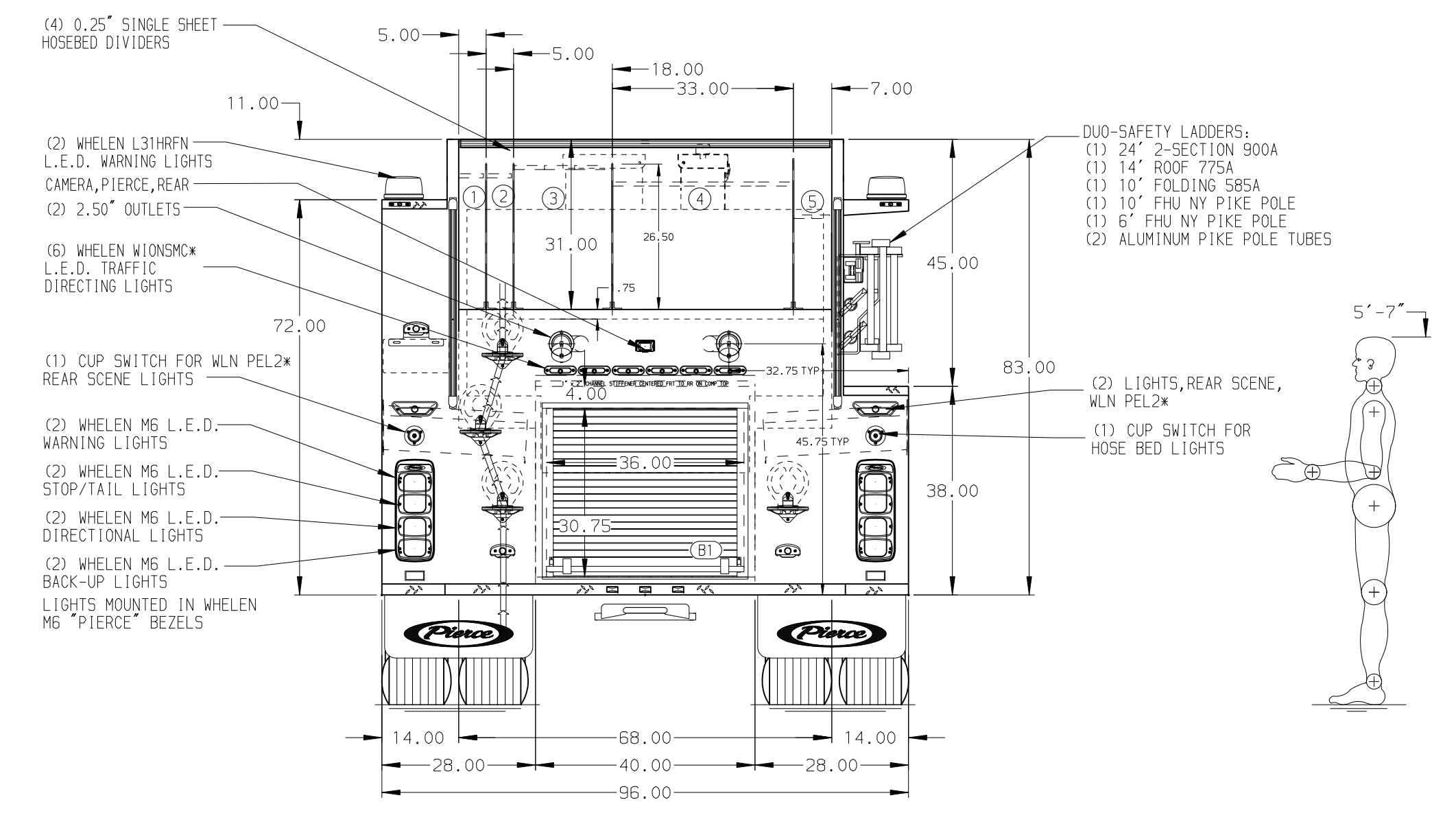
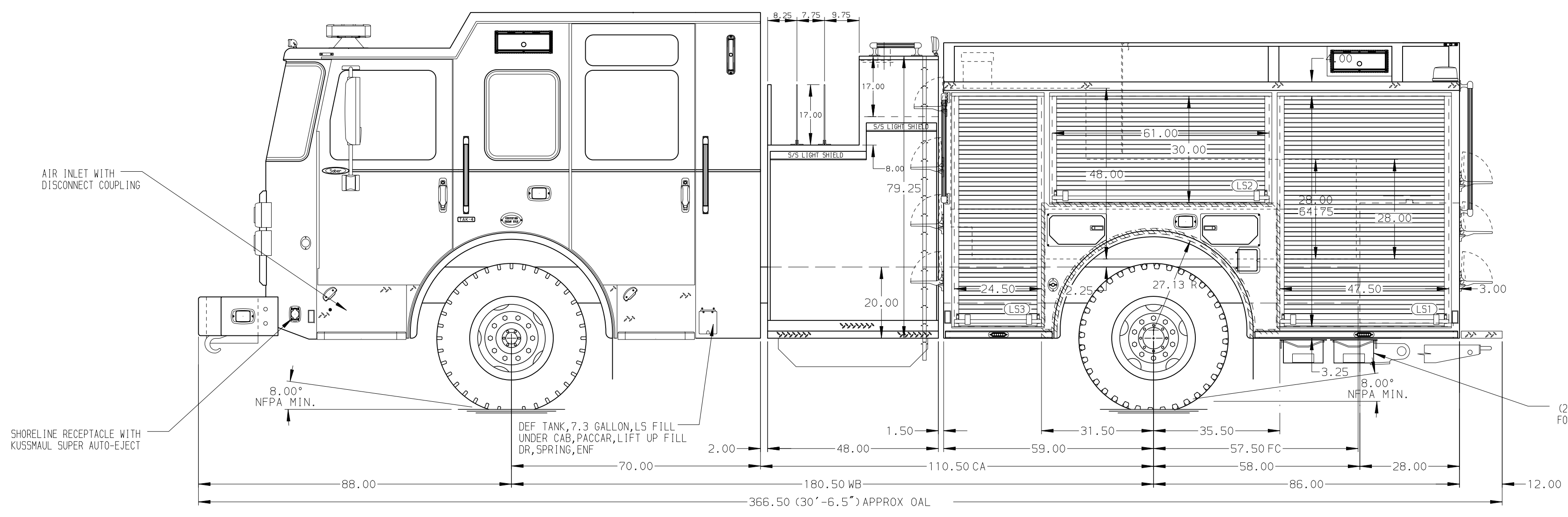


- HOSEBED CAPACITIES
- ① 250' OF 2.50" D.J. HOSE
 - ② 250' OF 2.50" D.J. HOSE
 - ③ 800' OF 3.00" D.J. HOSE
 - ④ 1200' OF 4.00" D.J. HOSE
 - ⑤ 400' OF 1.75" D.J. HOSE



ALUMINUM BODY

SIDE ROLL AND FRONTAL IMPACT PROTECTION

NOTE
DIMENSIONS SHOWN ARE APPROXIMATE AND ARE SUBJECT TO MINOR DEVIATIONS AS MAY OCCUR OR BE NECESSARY IN CONSTRUCTION. MINOR DETAILS NOT SHOWN.

REV	DATE	BY	CH	SABER FR
19MAR26	RHU	-	PIERCE	
02FEB26	RHU	JAP	MODEL	

		JOB NO.	45327
		SCALE	DATE
TITLE	1500GPM, 770G TANK, 750G WATER, 20G FOAM 145" BODY PUMPER 2G, HARDWIRED	DRAWN BY	RHU 16JAN25
FOR	PIERCE FIELD UNIT	CHECKED BY	JAP 16JAN26
DWG NO.	45327AD	SHEET SIZE	SHEET NO.
		D	1 OF 1