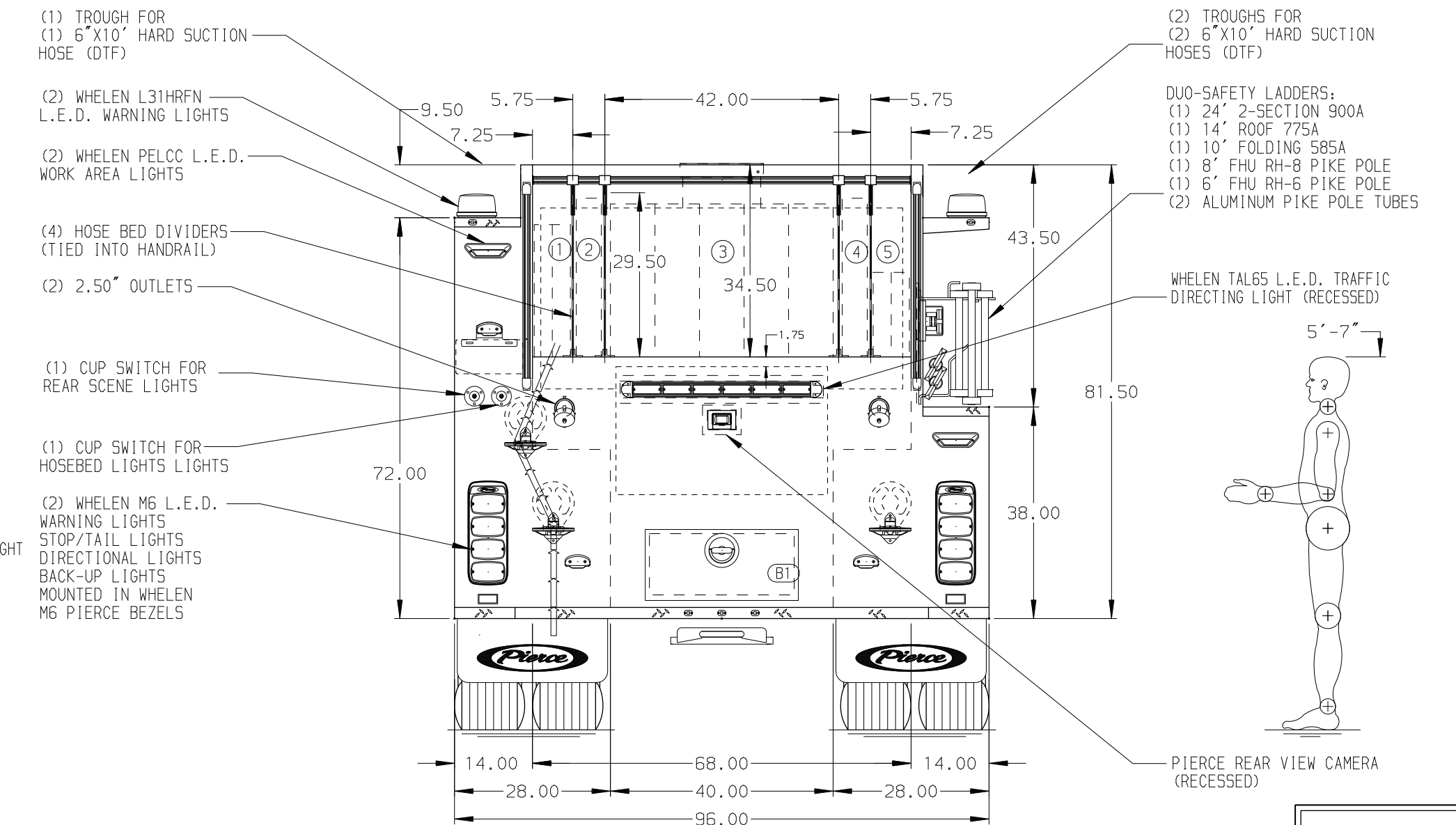
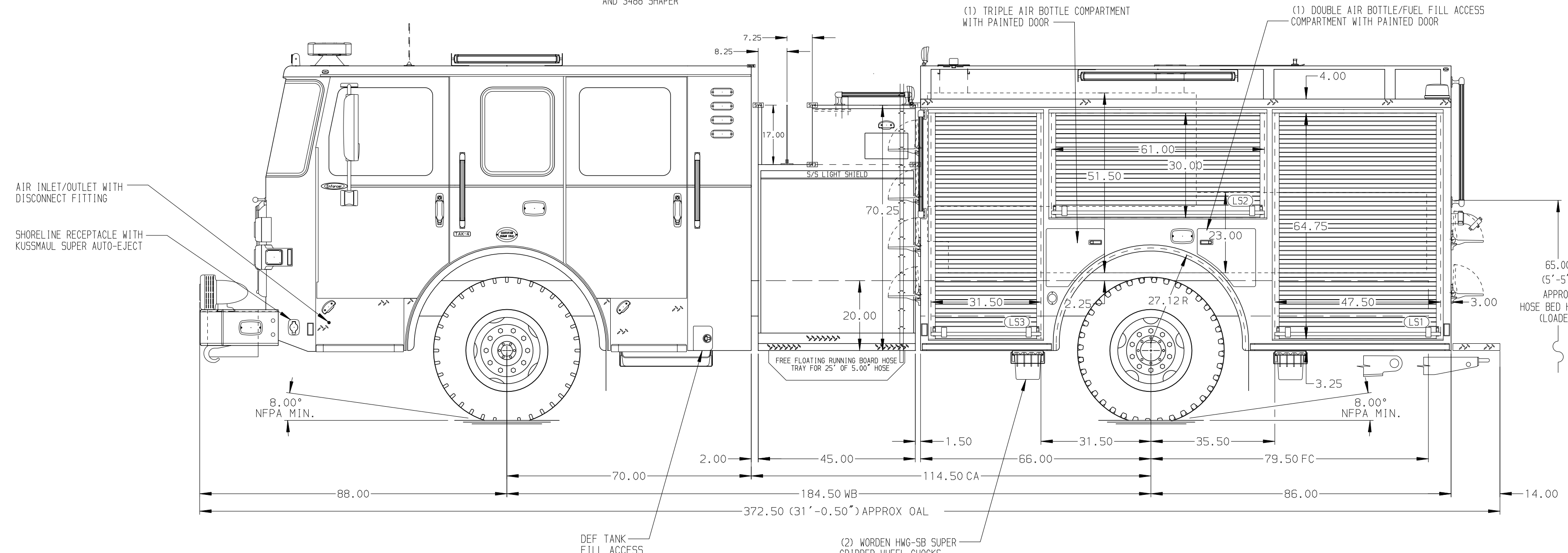


CENTER HOSE TRAY FOR 125' OF 1.75\"/>

- HOSEBED CAPACITIES**
- ① 400' OF 1.75\"/>
  - ② 200' OF 2.50\"/>
  - ③ 1000' OF 5.00\"/>
  - ④ 200' OF 2.50\"/>
  - ⑤ 250' OF 1.75\"/>



**ALUMINUM BODY**

**NOTE**  
DIMENSIONS SHOWN ARE APPROXIMATE AND ARE SUBJECT TO MINOR DEVIATIONS AS MAY OCCUR OR BE NECESSARY IN CONSTRUCTION. MINOR DETAILS NOT SHOWN.

- 1. BATTERY CHARGER LOCATED BEHIND DRIVER'S SEAT
- 2. BATTERY CHARGE INDICATOR LOCATED ON THE DRIVER SIDE SEAT RISER
- 3. FOUR 15/20A 120V RECEPTACLES LOCATED PER ORDER
- 4. PLUMBING FOR FUTURE FOAM SYSTEM 3/12

CUSTOMER APPROVAL			
APPROVED BY:			
DATE:			
REV	DATE	BY	CH
12MAY26		DLH	WME



TITLE	1500GPM, 1020G TANK, 1000G WATER, 20G FOAM
FOR	PIERCE STOCK UNIT APPLINGTON, WI
DWG NO.	45940AD

**NFPA 1900 (2024) COMPLIANT**

JOB NO.	45940
SCALE	1:24
DATE	
DRAWN BY	DLH
CHECKED BY	WME
SHEET SIZE	D
SHEET NO.	1 OF 1